

Parts

AUTHORITY

125 Redwood Circle, Fayetteville, Georgia 30214 770.719.9492
FAA Parts Manufacturing Authority PQ4173CE

“Your Source for Aerostar PMA Parts”

AEROSTAR PARTS MANUAL

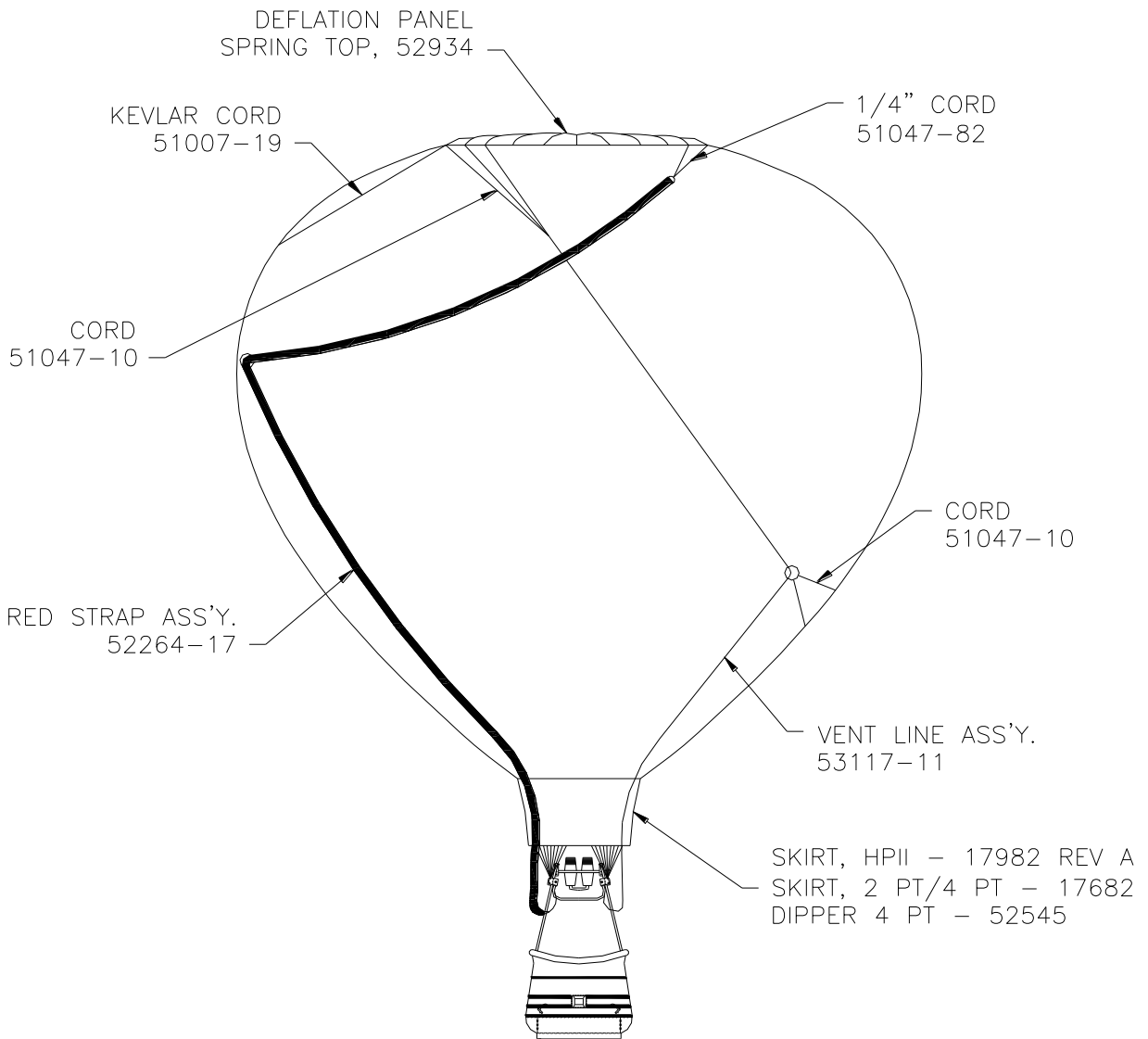
(Parts Subject to Availability)

ENVELOPES

PART NUMBER	DESCRIPTION	UNITS
ARP51001 - 7	SPRING STEEL, .094 X 1/2	LB.
ARP51004 - 36	FLARE CLOTH, TEMP TABS	YD.
ARP51007 - 6	ROPE, 1/2 SAMSON POWER BRAID	FT.
ARP51007 - 19	CORD, 1/8 KEVLAR BRAIDED	FT.
ARP51013 - 48	SCREW, MACHINE 10-32 X 3/8	EA.
ARP51015 - 1	NUT, MS20365-1032A 10-32	EA.
ARP51031 - 13	RING, STEEL 1 IN HD-1-N1	EA.
ARP51031 - 18	CLAMP. LOOP TA715SS08	EA.
ARP51031 - 19	CLAMP, LOOP TA715SS02	EA.
ARP51031 - 26	V-RING 54A90-B2 1-IN	EA.
ARP51031 - 31	CONNECTOR, SPLIT BOLT #4H3	EA.
ARP51031 - 32	SNAP HOOK #200-1-1/2	EA.
ARP51031 - 33	D-RING, 1 1/2 IN STYLE 3250	EA.
ARP51031 - 34	D-RING 1-IN STYLE 3250	EA.
ARP51031 - 35	WEB DAVIS FITTING FD3389-2M	EA.
ARP51031 - 36	LINK TRIANGLE MS522020-1 FC87	EA.
ARP51031 - 37	RING, STEEL .25 X 2 IN HD-1-N2	EA.
ARP51031 - 63	RAPID LINK, SS 3/16	EA.
ARP51031 - 64	RAPID LINK, SS 1/4 SS	EA.
ARP51031 - 94	DELTA LINK, 3/16 IN	EA.
ARP51037 - 1	CABLE, GALV 1/8 7 X 19 MIL-RR-W-410 D	FT.
ARP51037 - 2	SLEEVE, 1/8 OVAL COPPER 5005-4	EA.
ARP51037 - 4	THIMBLE, 1/8 AN100-4	EA.
ARP51037 - 5	THIMBLE, 3/32 AN100-3	EA.
ARP51037 - 6	CABLE, 3/32 GALV FED RR-W410D	FT.
ARP51037 - 9	CABLE, 1/8 SS FED RR-W410D	FT.
ARP51037 - 10	THIMBLE, 1/8 SS #3231	EA.
ARP51046 - 1	THREAD, VT285 T1 C1 SIZE F WHITE	EA.
ARP51046 - 2	THREAD, VT285 T1 C1 SIZE E WHITE	EA.
ARP51046 - 8	THREAD, NOMEX FIRE RETARDANT	EA.
ARP51046 - 9	THREAD, BOBBINS SIZE E, WHITE (100)	100
ARP51046 - 19	BOBBIN, SIZE F, V-T-285	EA.
ARP51046 - 20	THREAD, VT285 T1 C1 SIZE E BLACK	EA.
ARP51046 - 21	THREAD, VT285 T1 C1 SIZE F BLACK	EA.
ARP51046 - 22	THREAD, BOBBINS SIZE E, BLACK (100)	100
ARP51046 - 23	BOBBIN, SIZE F, V-T-285, BLACK	EA.
ARP51047 - 10	CORD, MIL-C-5040-T3 WHITE	FT.
ARP51047 - 16	WEBBING, 1 INCH WHITE MIL-T-5038 T4	IN
ARP51047 - 50	WEBBING, 1 1/2 INCH WHITE MIL-T-5038 T4	IN
ARP51047 - 53	WEBBING, 1 1/2 INCH BLACK MIL-T-5038 T4	IN
ARP51047 - 54	WEBBING, 1 INCH BLACK MIL-T-5038 T4	YD.
ARP51047 - 62	ROPE, 1/4 IN NYLON SOLID BRAID	FT.
ARP51047 - 63	ROPE, 1/2 IN SOLID BRAID W/KEVLAR, RED	FT.
ARP51047 - 65	ROPE, 3/8 IN NYLON SOLID BRAID (CROWN LINE)	FT.
ARP51047 - 72	ROPE, 1/4 IN BLUE SOLID BRAID	FT.
ARP51047 - 73	ROPE, 1/4 IN YELLOW SOLID BRAID	FT.
ARP51047 - 77	ROPE, KEXLON II 3/16 IN KEVLAR	FT.
ARP51048 - 2	VELCRO, FASTENER HOOK 1 IN WHITE	IN.
ARP51048 - 3	VELCRO, FASTENER LOOP 1 IN WHITE	IN.
ARP51048 - 7	VELCRO, FASTENER HOOK 1 IN BLACK	IN.
ARP51048 - 8	VELCRO, FASTENER LOOP 1 IN BLACK	IN.
ARP51048 - 10	VELCRO, FASTENER HOOK 1 1/2 IN WHITE	IN.
ARP51048 - 11	VELCRO, FASTENER LOOP 1 1/2 IN WHITE	IN.
ARP51048 - 12	VELCRO, FASTENER HOOK 1 1/2 IN BLACK	IN.
ARP51048 - 13	VELCRO, FASTENER LOOP 1 1/2 IN BLACK	IN.
ARP51048 - 14	VELCRO, FASTENER HOOK 2 IN BLACK	YD.

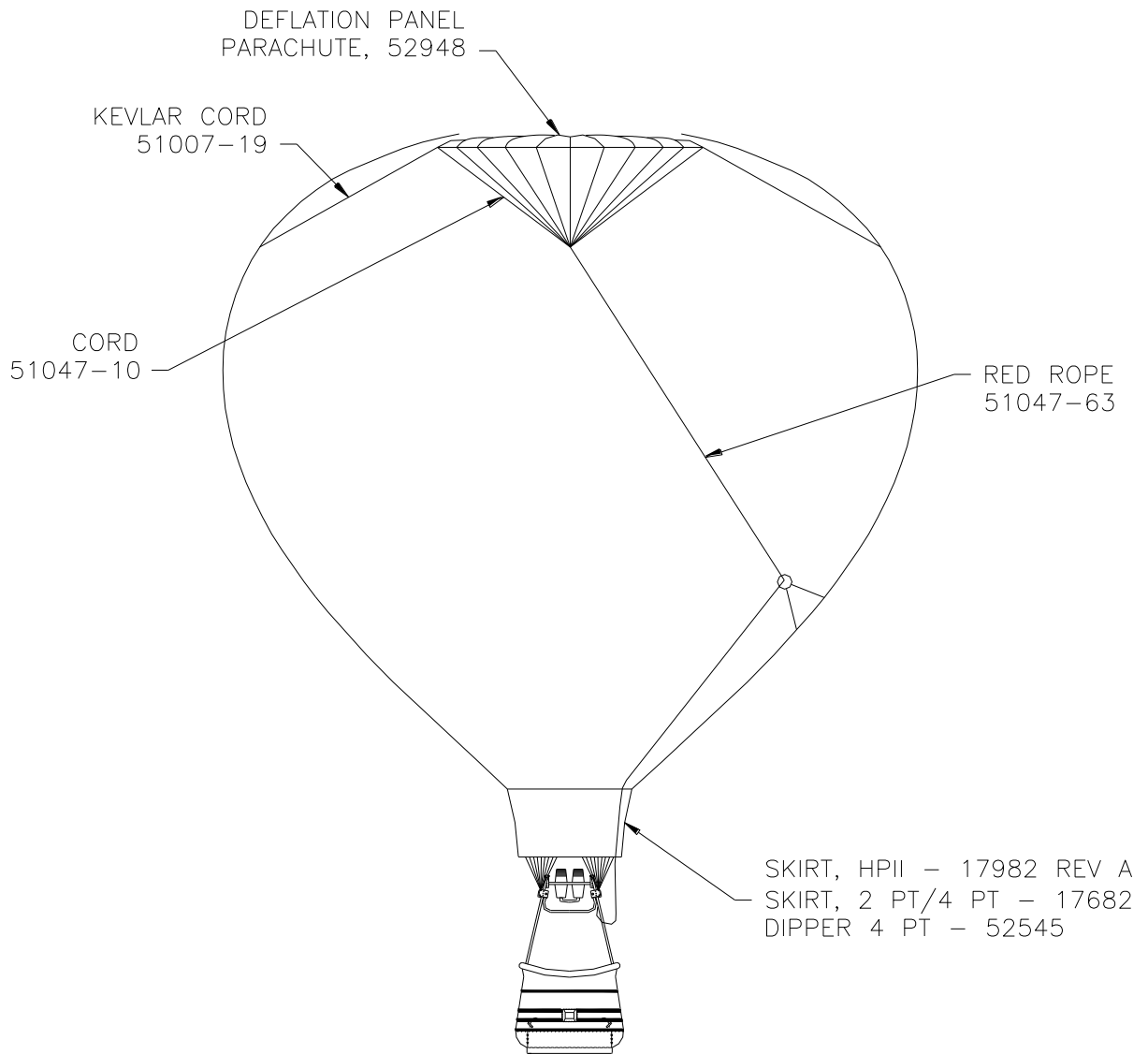
ARP51048	- 21	VELCRO, FASTENER HOOK 4 IN WHITE	YD.
ARP51048	- 22	VELCRO, FASTENER LOOP 4 IN WHITE	YD.
ARP51048	- 24	VELCRO, FASTENER LOOP 2 IN WHITE	OBSOLETE
ARP51048	- 30	VELCRO, FASTENER HOOK 2 IN WHITE	OBSOLETE
ARP51051	- 2	TIE PANDUIT PLT1M-M	EA.
ARP51053	- 6	ELASTIC, 1 1/2 IN BLACK	EA.
ARP51054	- 33	TEMP TAB OMEGALABLE 4B-225	EA.
ARP51096		SKIRT, S66A/S71A	EA.
ARP51131	- 51	SKIRT HOOP KIT STANDARD	EA.
ARP51131	- 53	SKIRT HOOP S77A, S81A	EA.
ARP51131	- 54	SKIRT HOOP SMALL, S49A	EA.
ARP51874		SPRING, TOPCAP TORSION	EA.
ARP51880	- 1	SPRING POCKET RECT 5/8 OPEN	EA.
ARP51880	- 2	SPRING POCKET RECT 7/8 OPEN	EA.
ARP51880	- 3	SPRING POCKET TRAP 5/8 OPEN	EA.
ARP51880	- 4	SPRING POCKET TRAP 7/8 OPEN	EA.
ARP51880	- 5	SPRING POCKET BACKUP RECT	EA.
ARP51880	- 6	SPRING POCKET 3/8 OPEN	EA.
ARP51940		ROPE, 5/16 NYLON W/ KEVLAR CORE	FT.
ARP51980		PULLEY ASSEMBLY 1/2 INCH	EA.
ARP52123	- 1	RING, APEX STANDARD	EA.
ARP52123	- 2	RING, APEX HEAVY (S77/S81)	EA.
ARP52215	- 1	RETROFIT, APEX RING KIT STANDARD	EA.
ARP52215	- 2	RETROFIT, APEX RING KIT LARGE	EA.
ARP52227	- 1	WEBBING, RED POLY W/KEVLAR	FT.
ARP52233	- 1	RING WELDMENT	EA.
ARP52263		RETROFIT, RED STRAP	EA.
ARP52402		RING, APEX RX7/RX8	EA.
ARP52789		AEGIS IR ENVELOPE MOUNT	EA.
ARP52792		ROPE COLLET, 2 IN CASTER	EA.
ARP53107	- 1	UPPER LINE, PULLEY CHUTE, 32 FT	EA.
ARP53107	- 2	UPPER LINE, PULLEY CHUTE, 36 FT	EA.
ARP53107	- 3	UPPER LINE, PULLEY CHUTE, 39 FT	EA.
ARP53107	- 4	UPPER LINE, PULLEY CHUTE, 42 FT	EA.
ARP53107	- 5	UPPER LINE, PULLEY CHUTE, 44 FT	EA.
ARP53107	- 6	UPPER LINE, PULLEY CHUTE, 47 FT	EA.
ARP53107	- 7	UPPER LINE, PULLEY CHUTE, 40 FT	EA.
ARP53107	- 8	UPPER LINE, PULLEY CHUTE, 34 FT	EA.
ARP53107	- 9	UPPER LINE, PULLEY CHUTE, 42.5 FT	EA.
ARP53107	- 10	UPPER LINE, PULLEY CHUTE, 25 FT	EA.
ARP53108	- 1	LOWER LINE, PULLEY CHUTE, 48 FT	EA.
ARP53108	- 2	LOWER LINE, PULLEY CHUTE, 54 FT	EA.
ARP53108	- 3	LOWER LINE, PULLEY CHUTE, 52 FT	EA.
ARP53108	- 4	LOWER LINE, PULLEY CHUTE, 40 FT	EA.
ARP53108	- 501	LOWER LINE ONLY, PULLEY CHUTE, 48 FT	EA.
ARP53108	- 502	LOWER LINE ONLY, PULLEY CHUTE, 54 FT	EA.
ARP53108	- 503	LOWER LINE ONLY, PULLEY CHUTE, 52 FT	EA.
ARP53108	- 504	LOWER LINE ONLY, PULLEY CHUTE, 40 FT	EA.
ARP53108	- 506	LOWER LINE ONLY, PULLEY CHUTE, 97 FT	EA.
ARP53114		SKIRT, DIPPER, RX6/RX7 FOR ELS/ELSS	EA.
ARP53117	- 1	VENT LINE 50 FT SPRINGTOP S49A	EA.
ARP53117	- 2	VENT LINE 57 FT SPRINGTOP S-50A	EA.
ARP53117	- 3	VENT LINE 60 FT SPRINGTOP S-52A	EA.
ARP53117	- 4	VENT LINE 58 FT SPRINGTOP S-55A/RX-7	EA.
ARP53117	- 5	VENT LINE 62 FT SPRINGTOP S-57A/RX-8	EA.
ARP53117	- 6	VENT LINE 66 FT SPRINGTOP S-60A	EA.

ARP53117	-	7	VENT LINE 66 FT SPRINGTOP S-66A	EA.
ARP53117	-	8	VENT LINE 74 FT SPRINGTOP S71A	EA.
ARP53117	-	9	VENT LINE 82 FT SPRINGTOP S77A	EA.
ARP53117	-	10	VENT LINE 90 FT SPRINGTOP S81A	EA.
ARP53117	-	11	VENT LINE 52 FT SPRINGTOP RX-6	EA.
ARP53117	-	12	VENT LINE 64 FT SPRINGTOP RXS-8	EA.
ARP53117	-	13	VENT LINE 69 FT SPRINGTOP RX9	EA.
ARP53655	-	2	SKIRT HEM, FABRIC WHITE 10 OZ	YD.



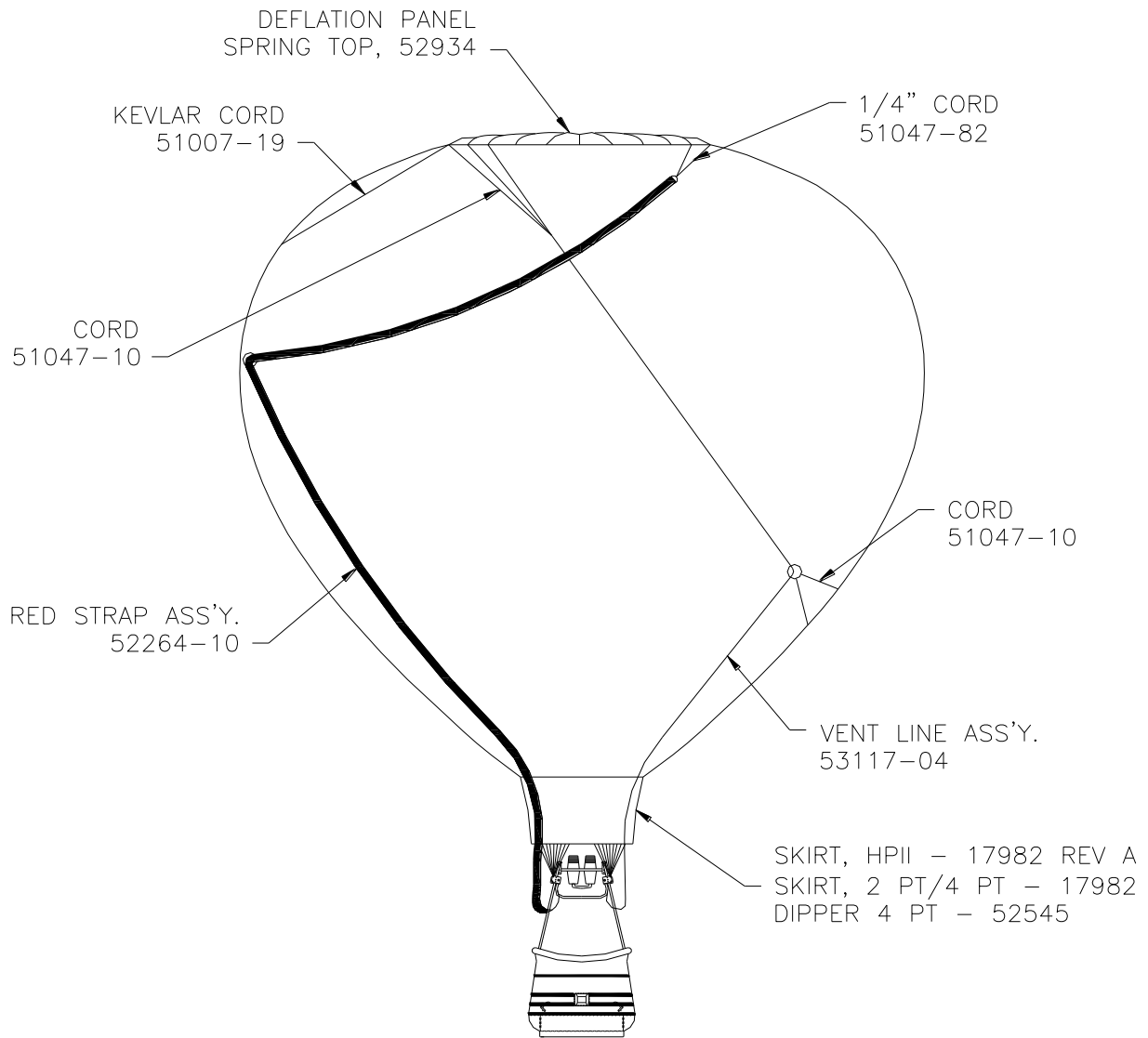
SPRING TOP RX6

Figure RX6-1



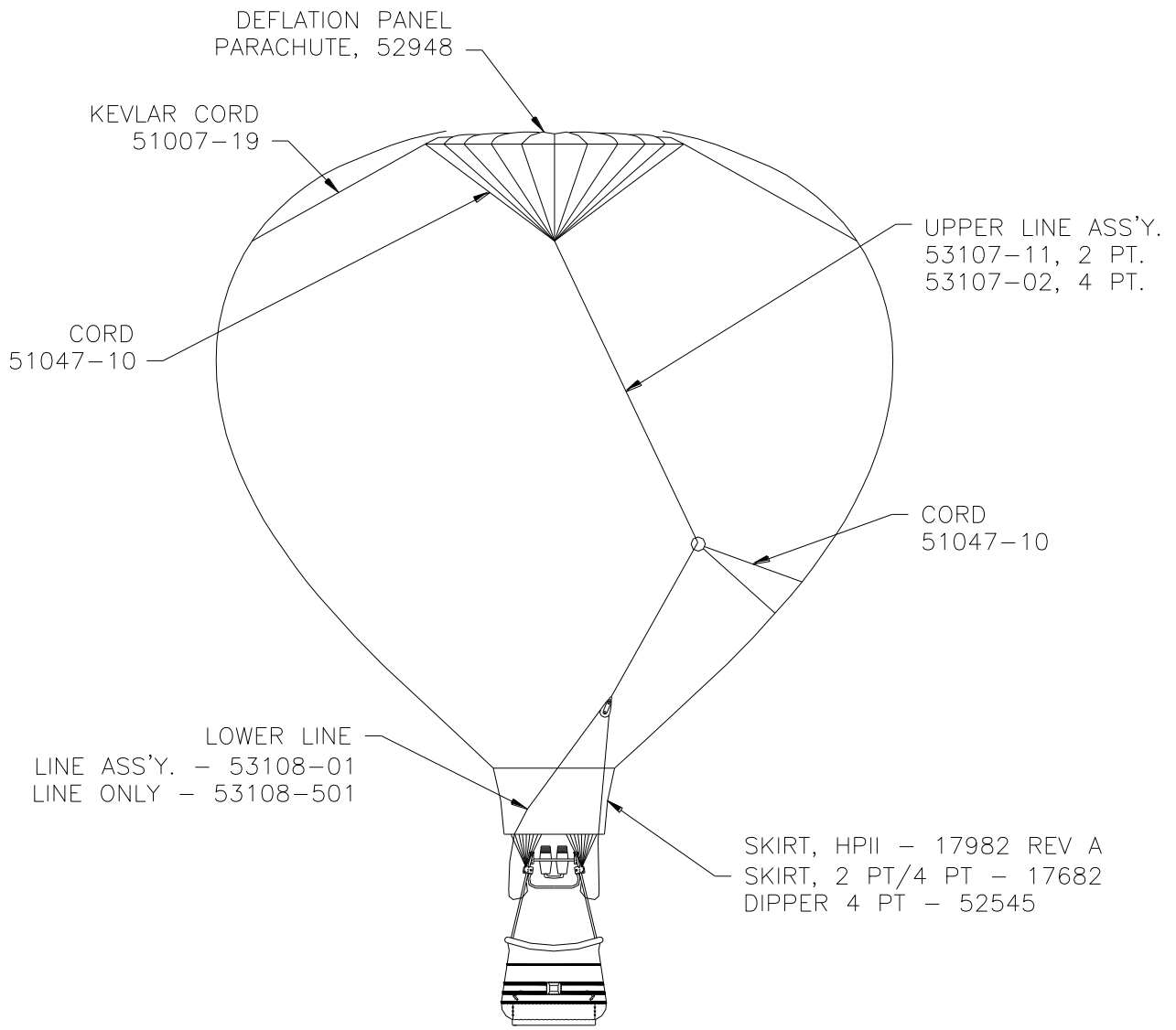
PARACHUTE TOP RX6

Figure RX6-2



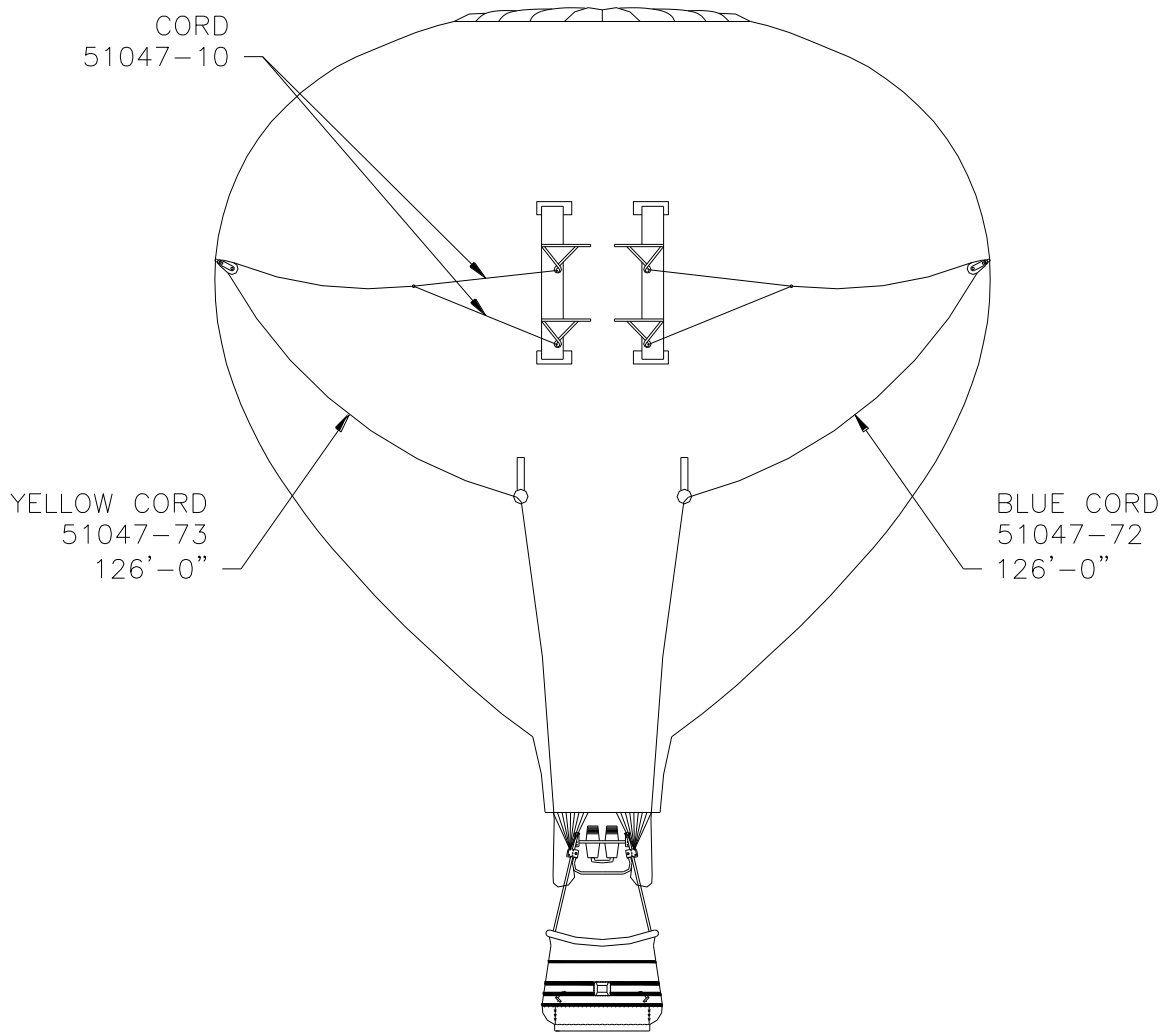
SPRING TOP
RX7

Figure RX7-1



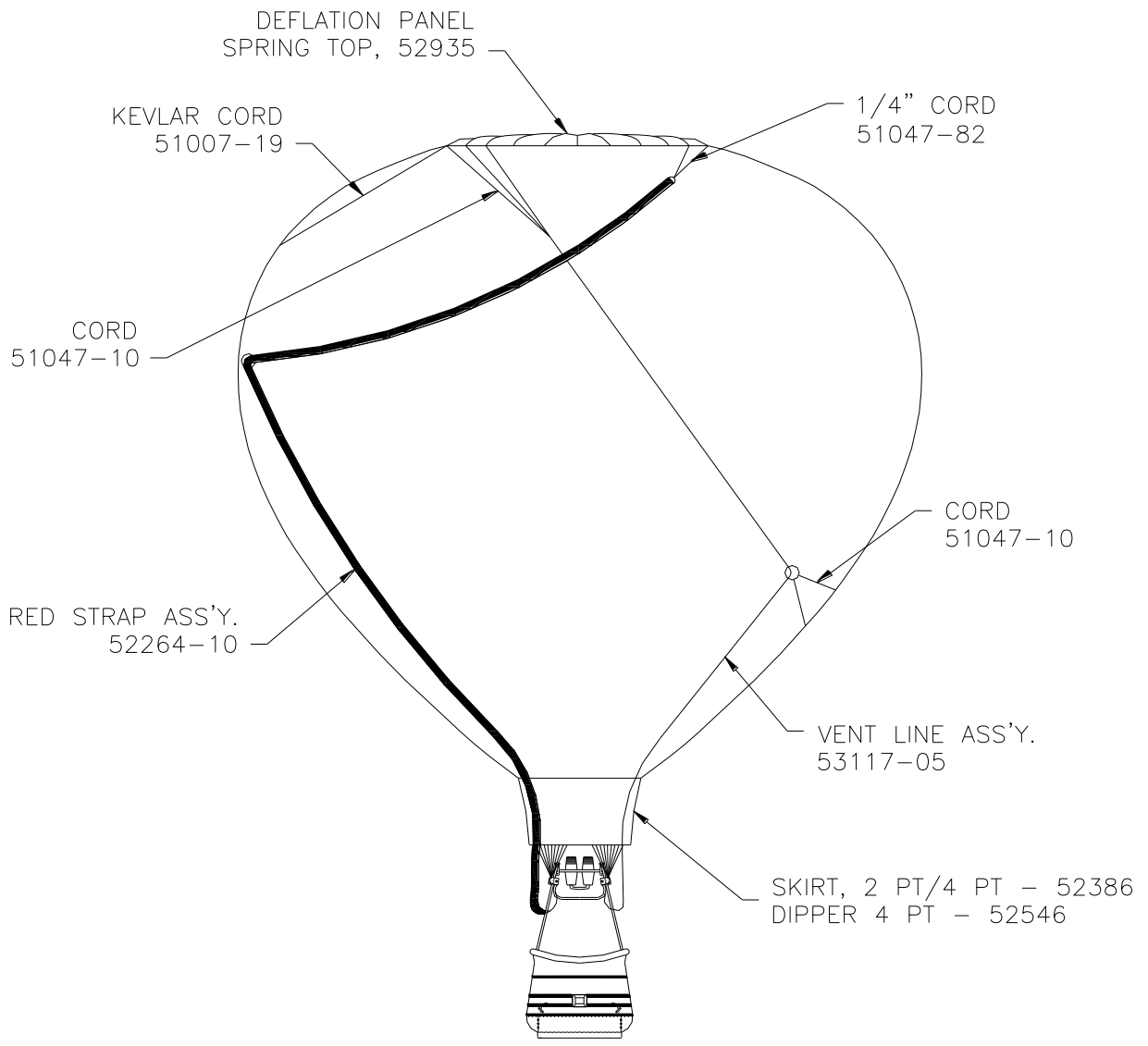
PARACHUTE TOP
RX7

Figure RX7-2



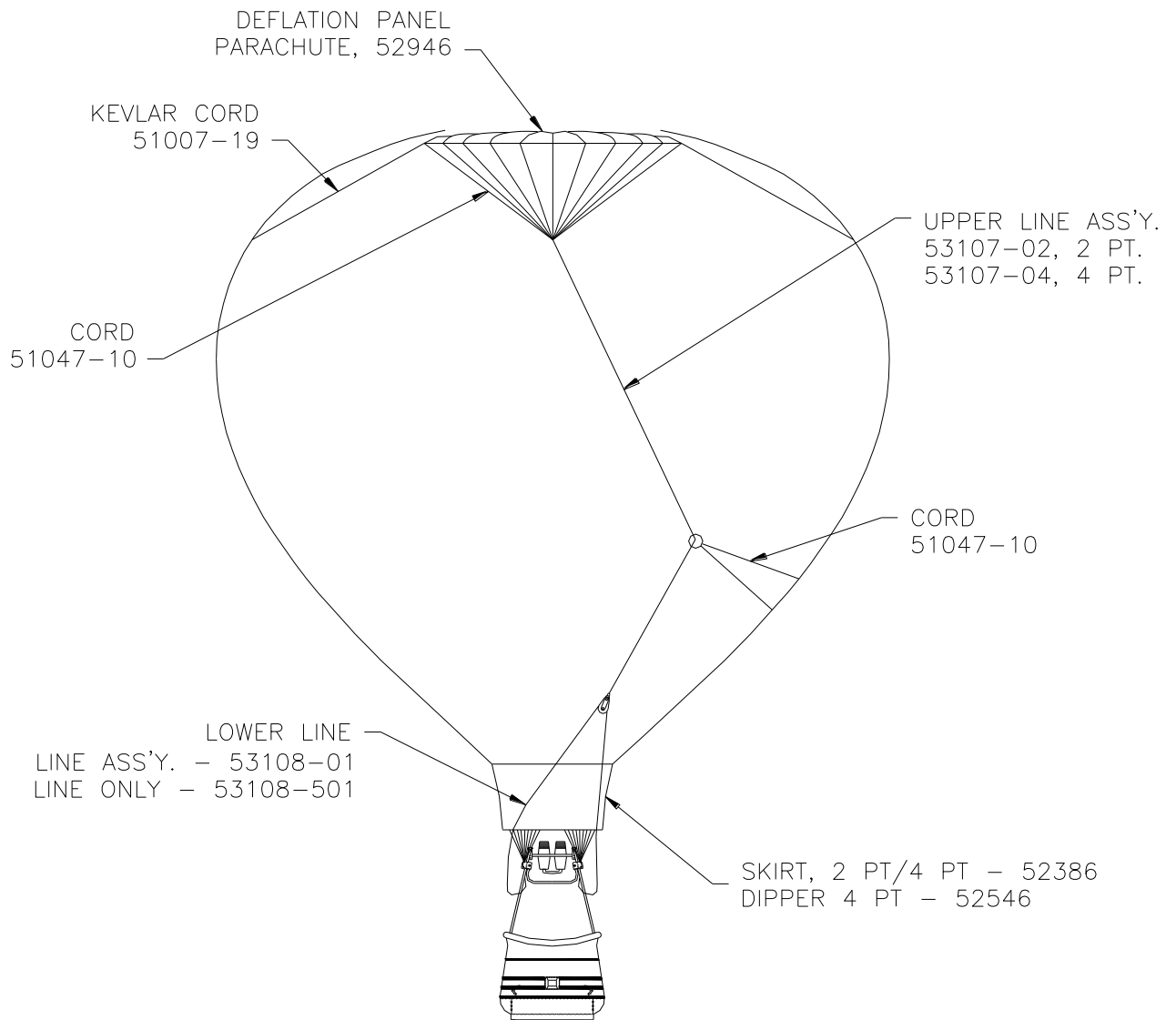
ROTATOR VENT RX7

Figure RX7-3



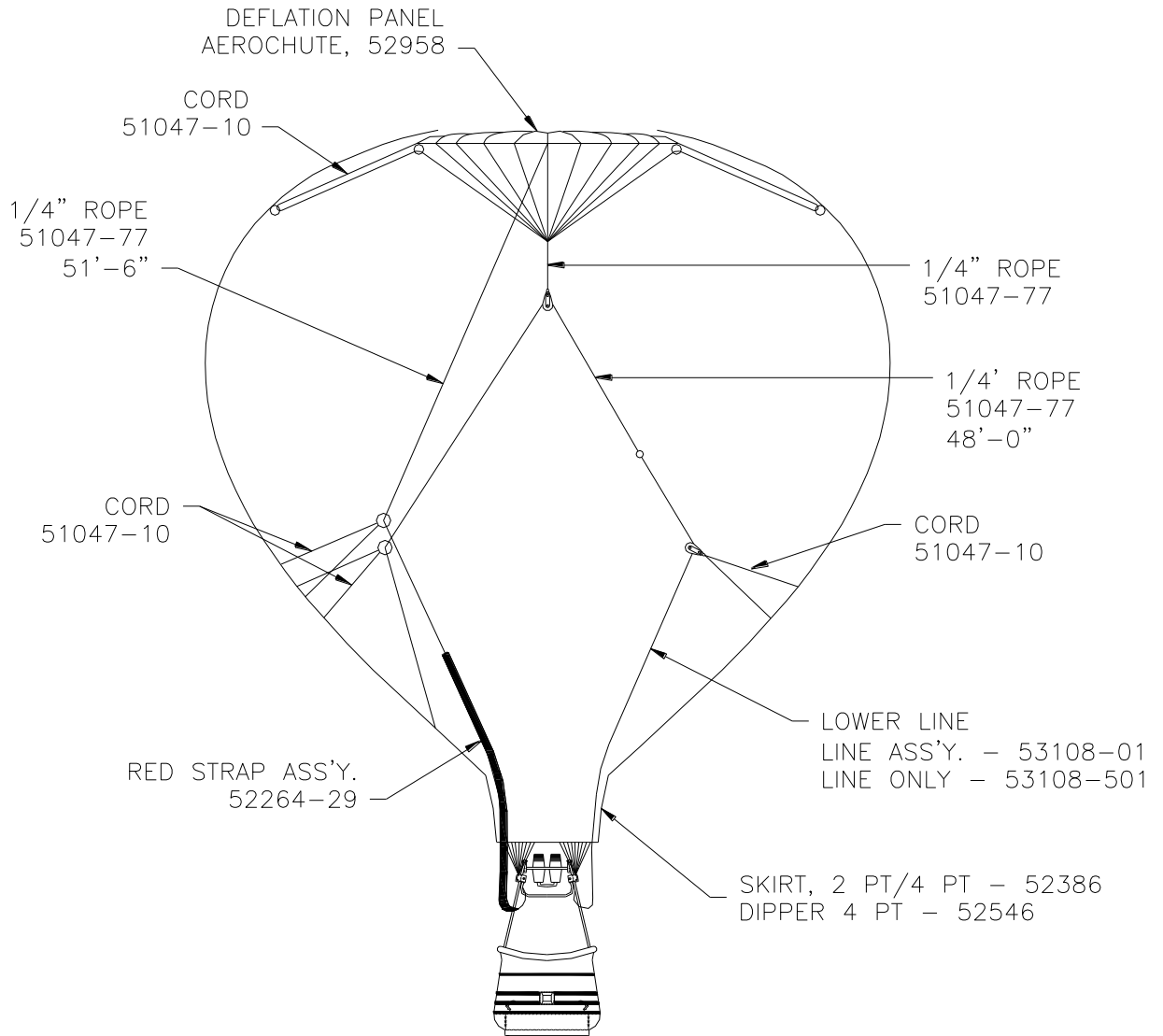
SPRING TOP
RX8

Figure RX8-1



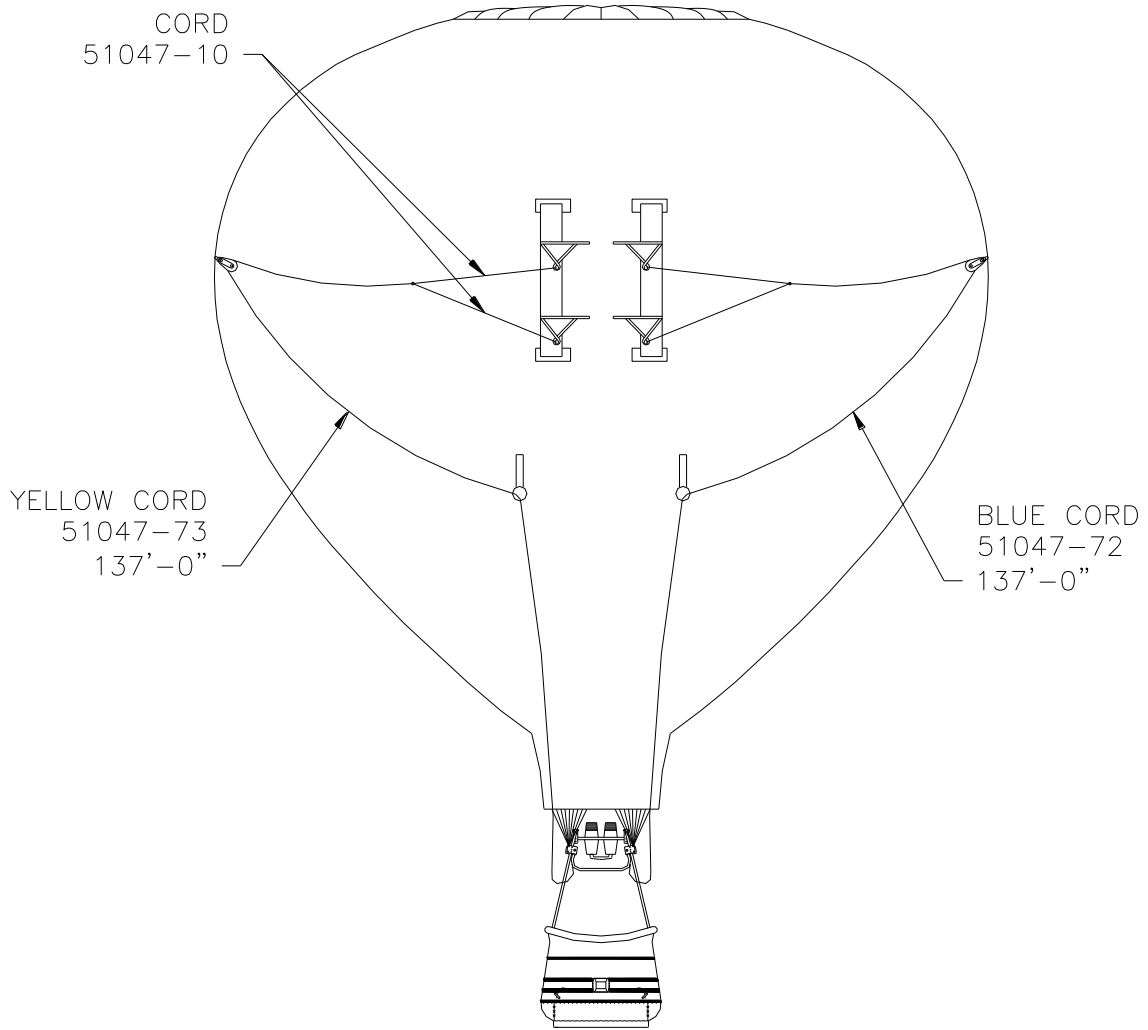
PARACHUTE TOP RX8

Figure RX8-2



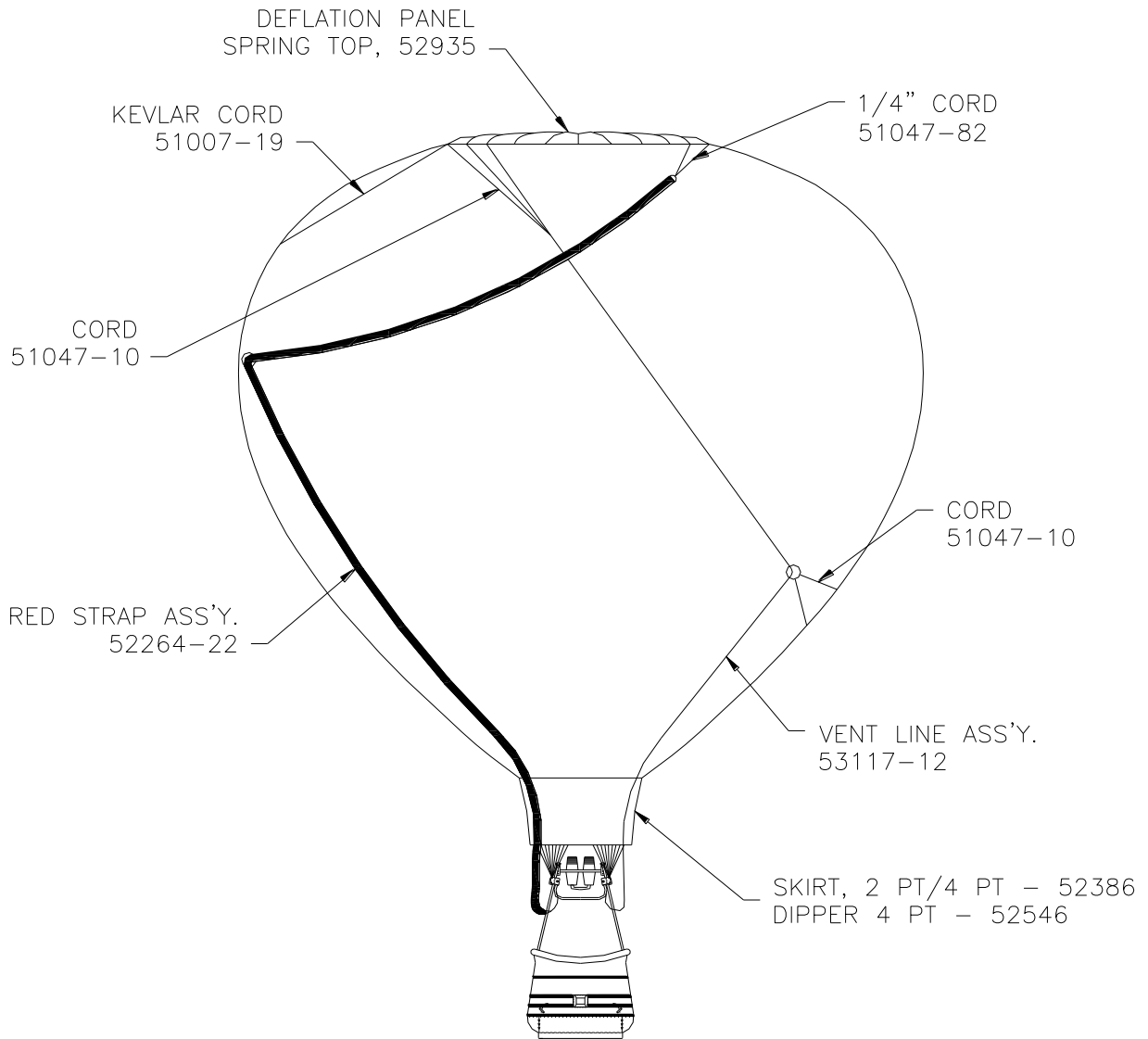
AEROCHUTE TOP RX8

Figure RX8-3



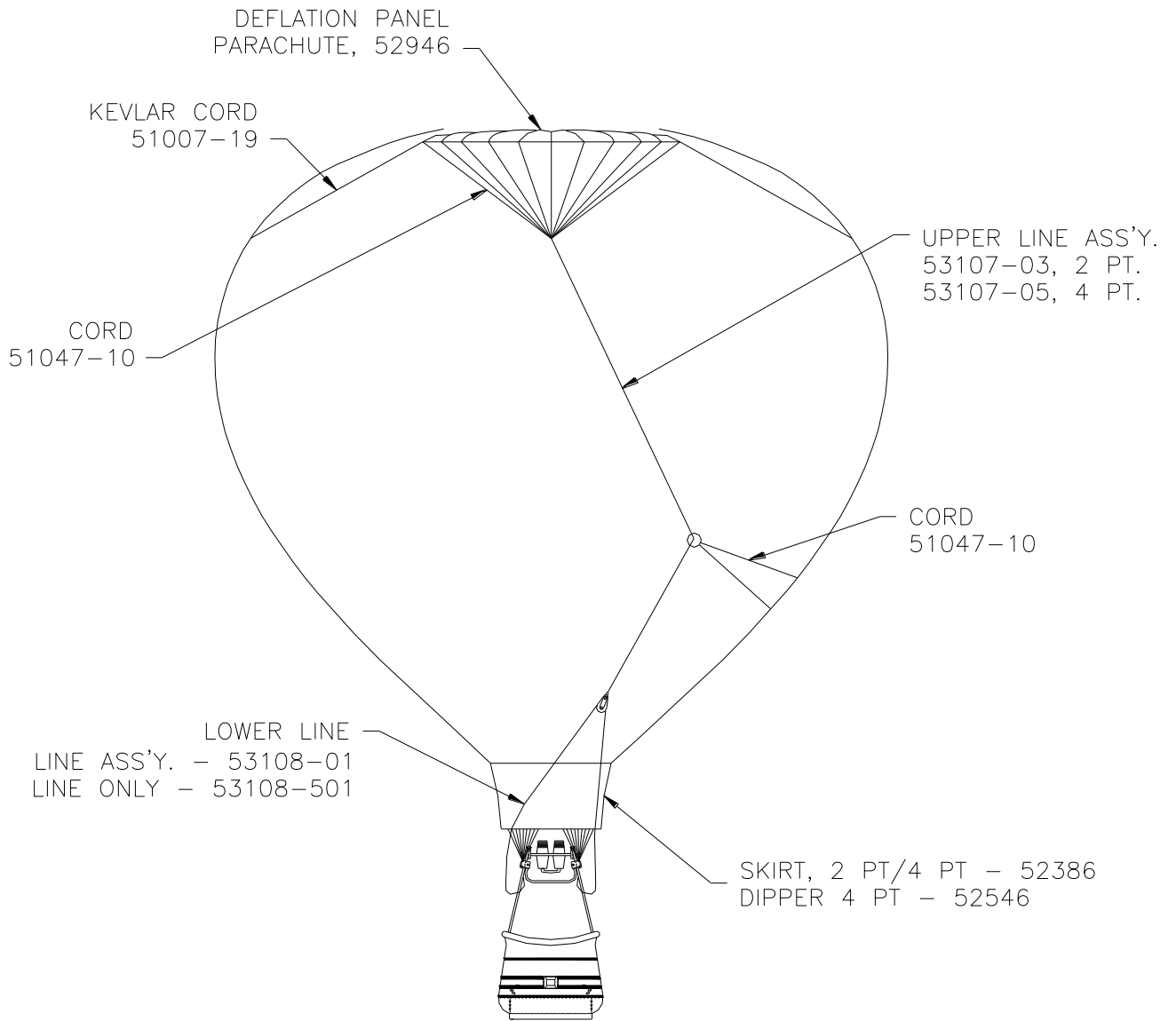
ROTATOR VENT
RX8

Figure RX8-5



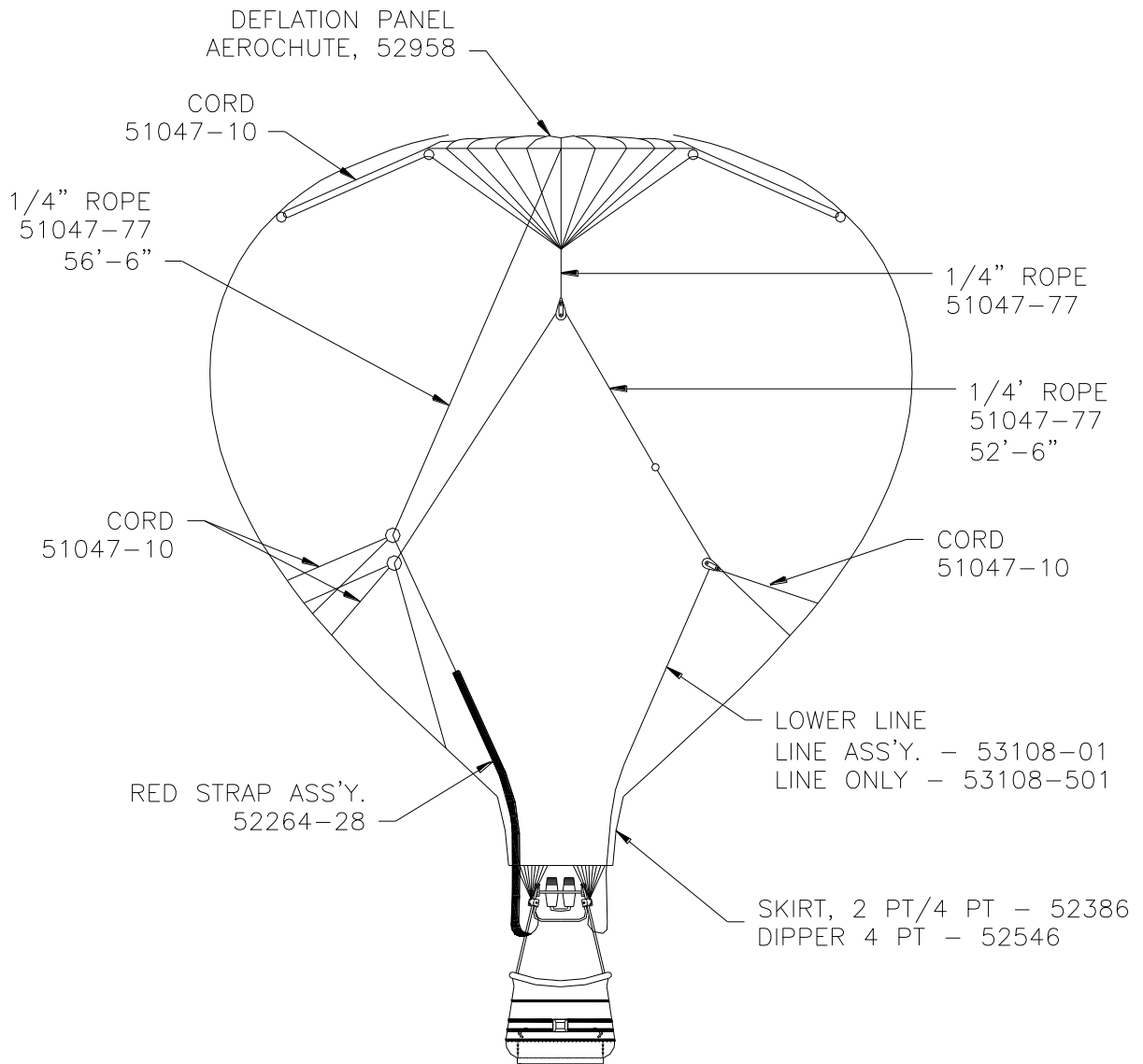
SPRING TOP
RXS8

Figure RXS8-1



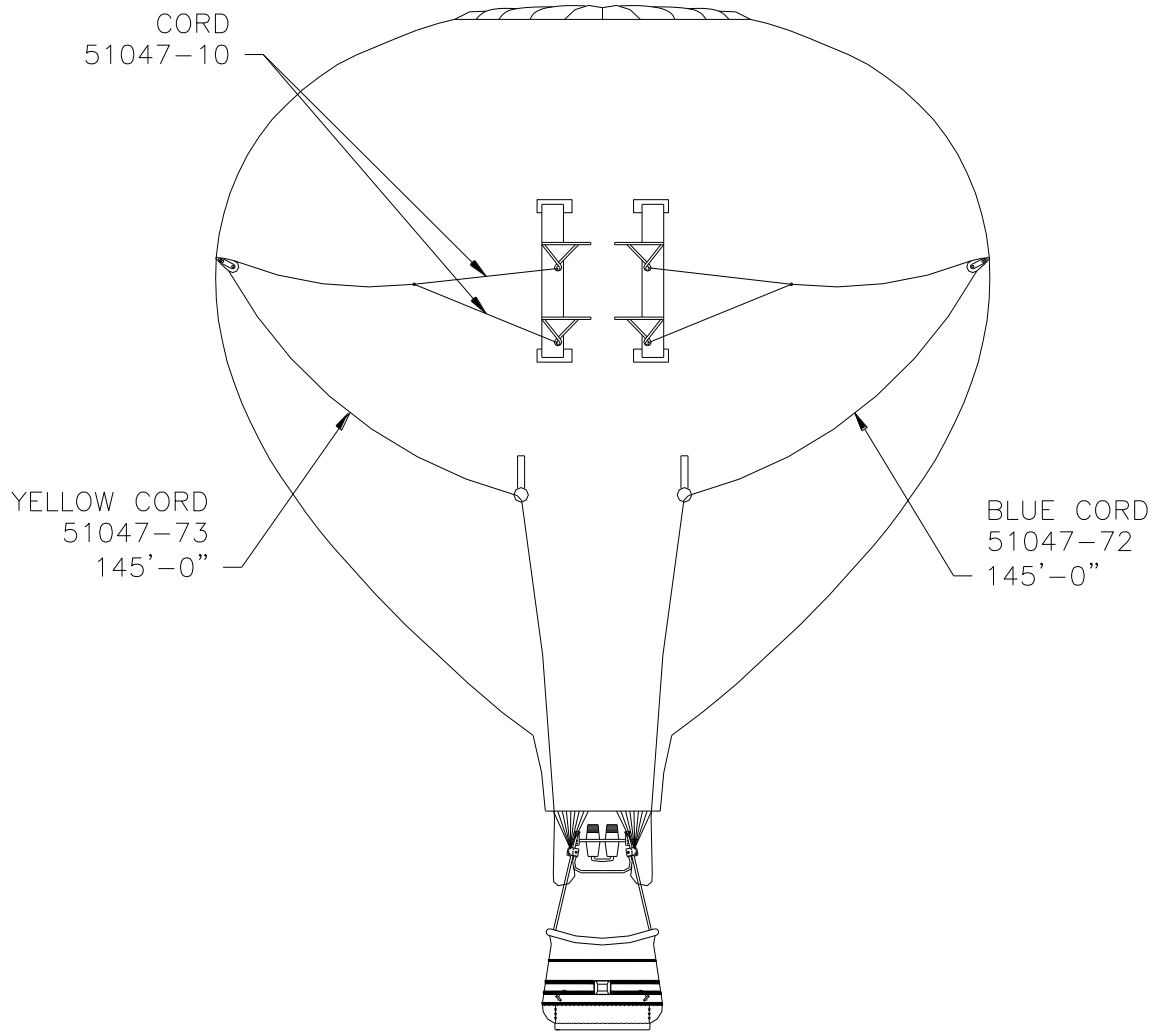
PARACHUTE TOP RXS8

Figure RXS8-2



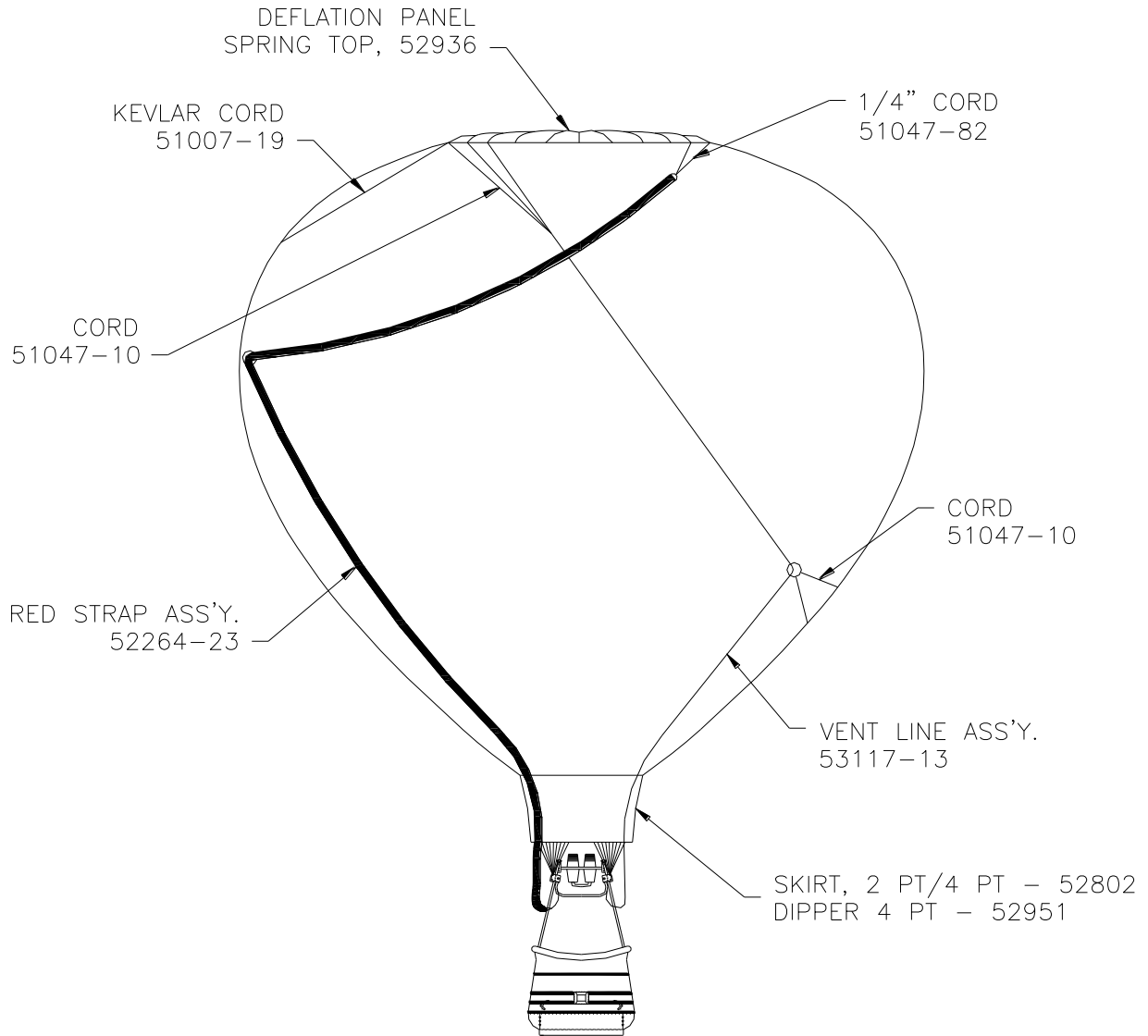
AEROCHUTE TOP RXS8

Figure RXS8-3



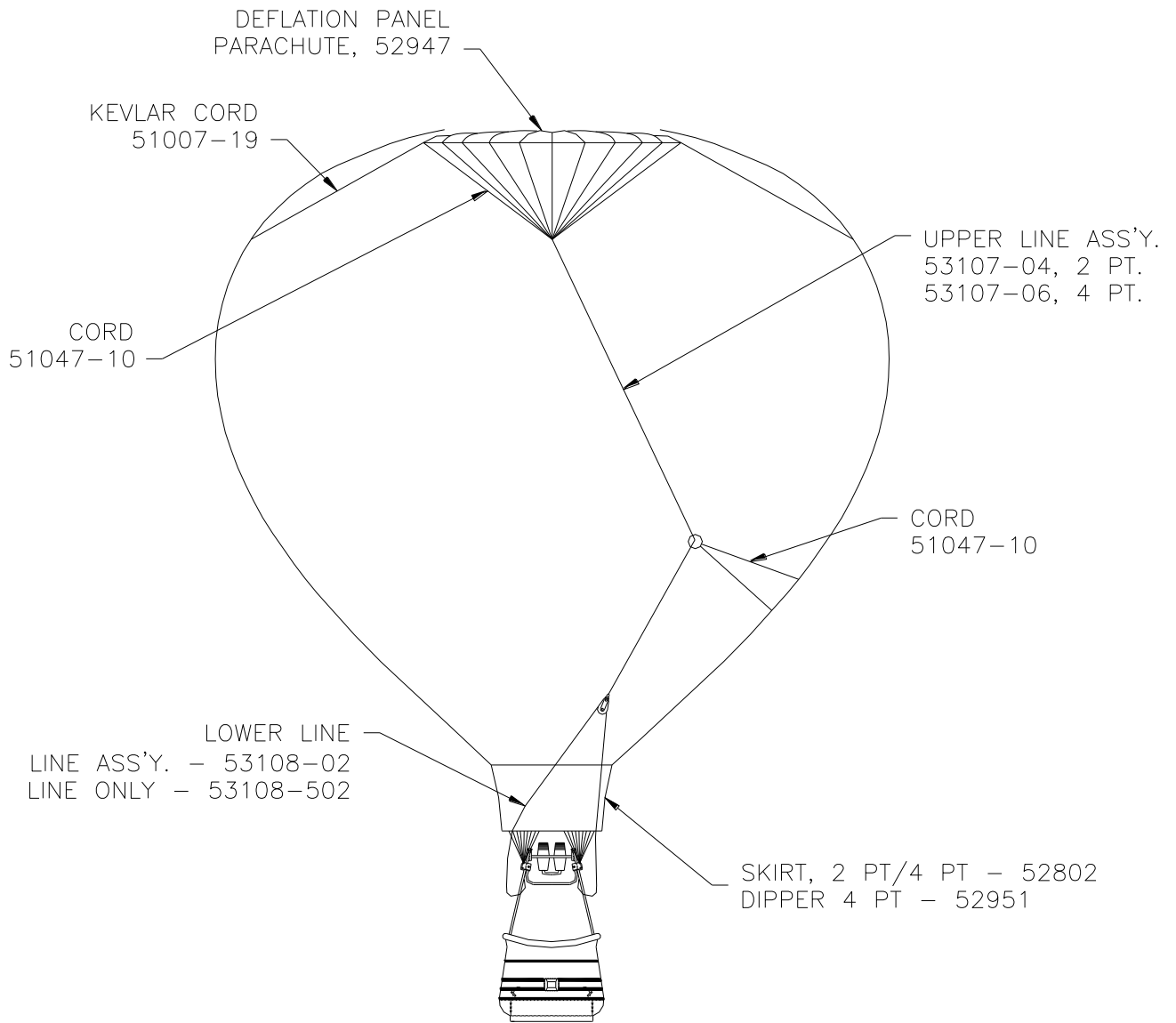
ROTATOR VENT RXS8

Figure RXS8-4



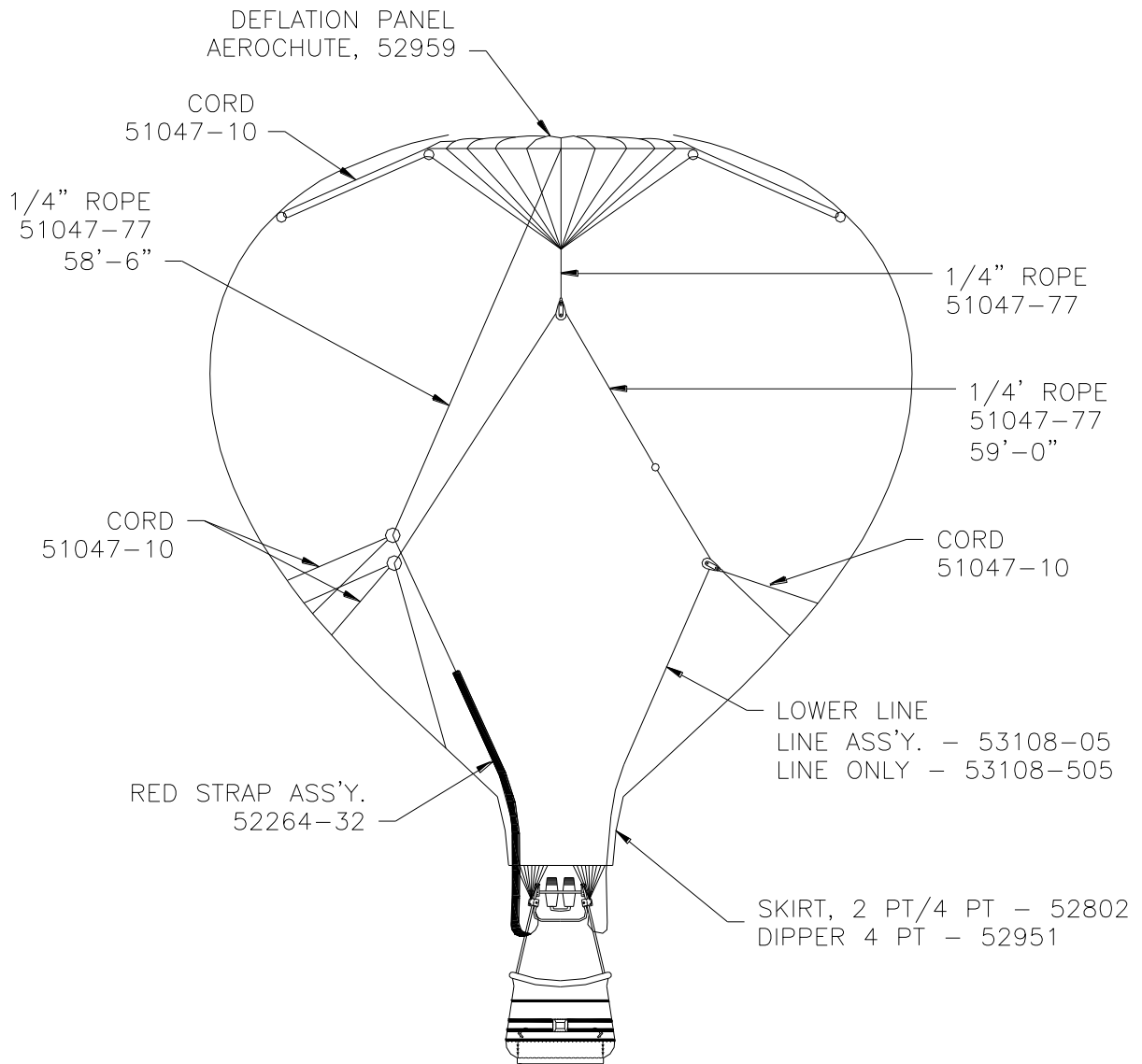
SPRING TOP RX9

Figure RX9-1



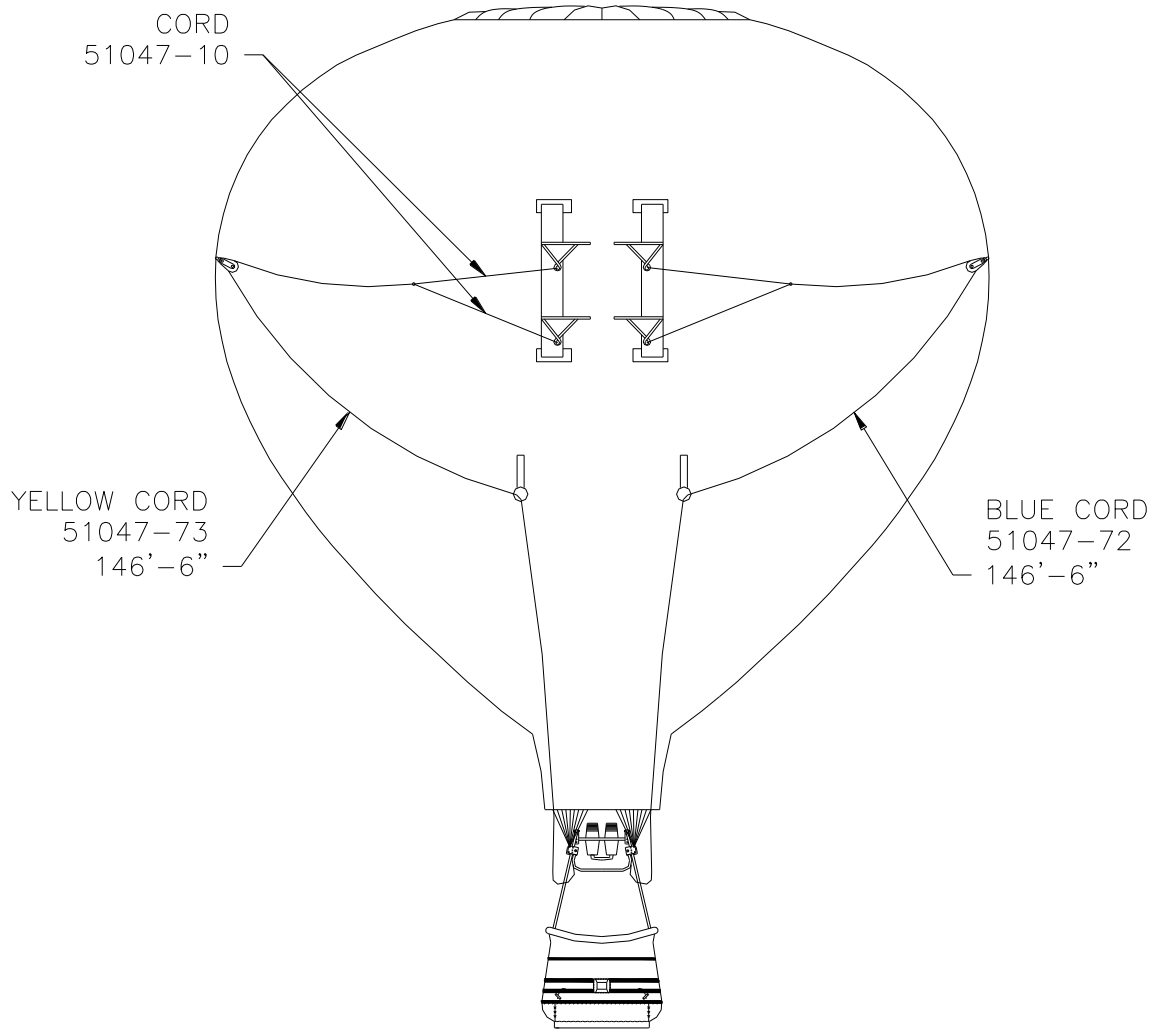
PARACHUTE TOP RX9

Figure RX9-2



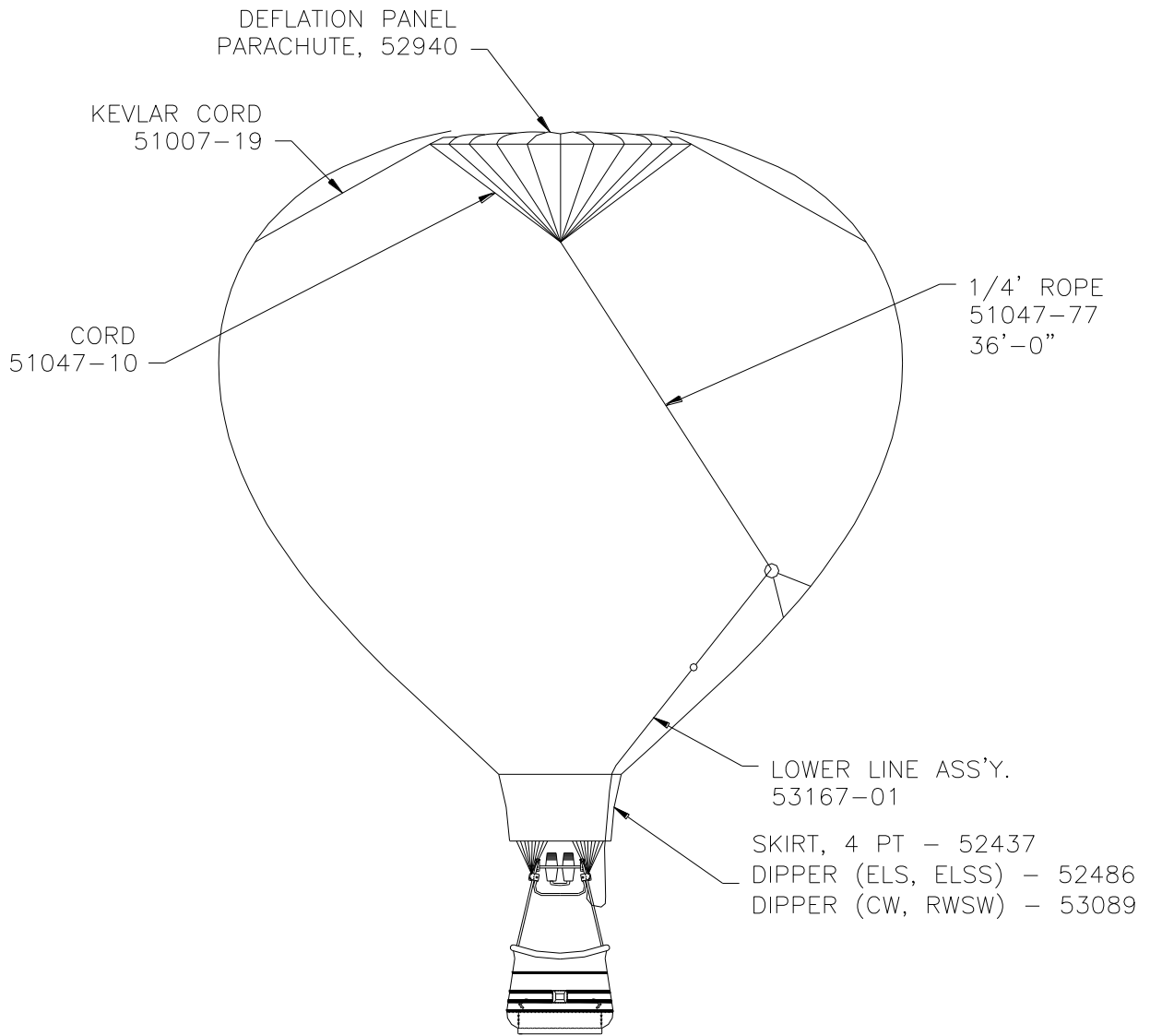
AEROCHUTE TOP RX9

Figure RX9-3



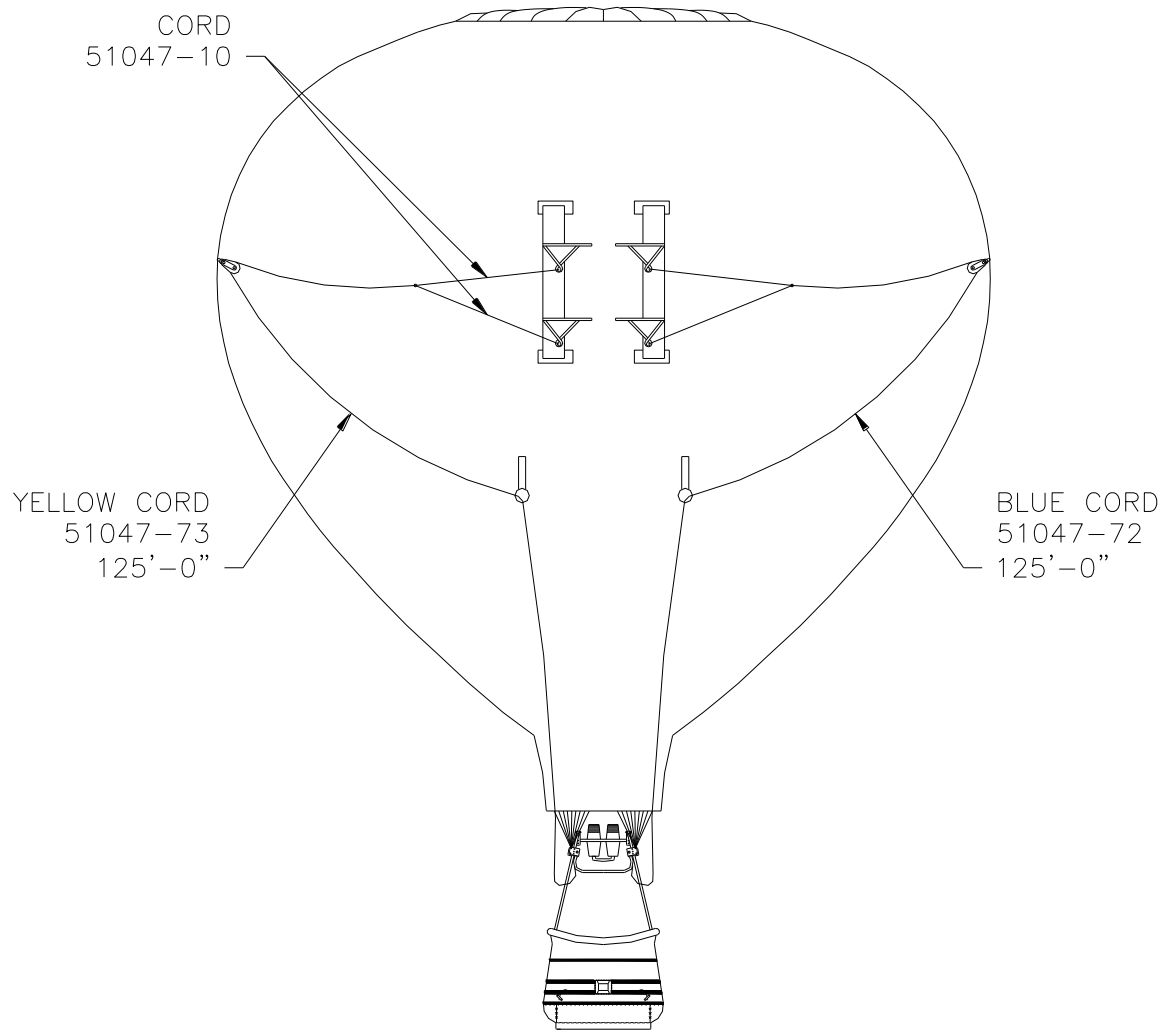
ROTATOR VENT
RX9

Figure RX9-4



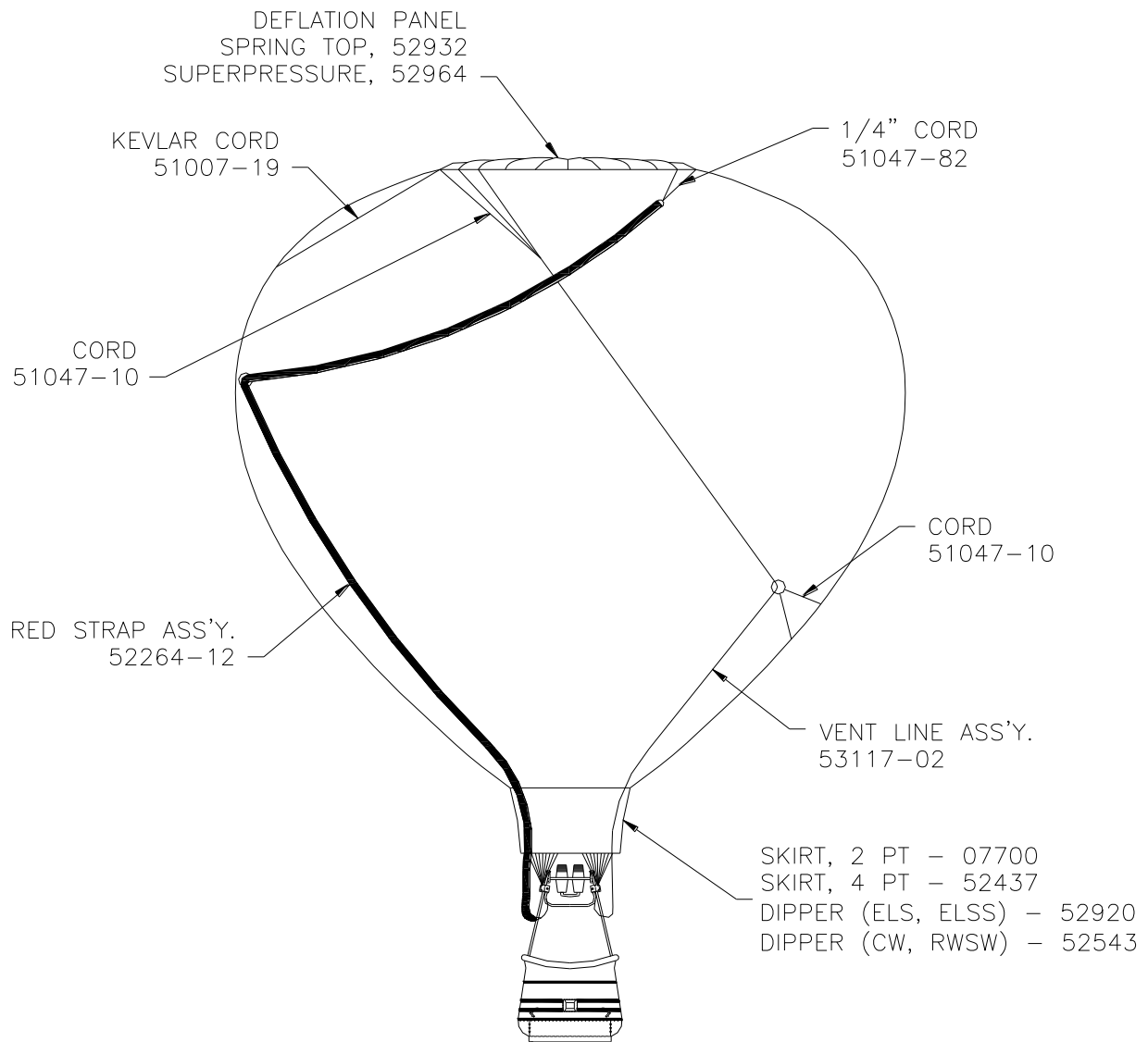
PARACHUTE TOP S49A

Figure S49A-1



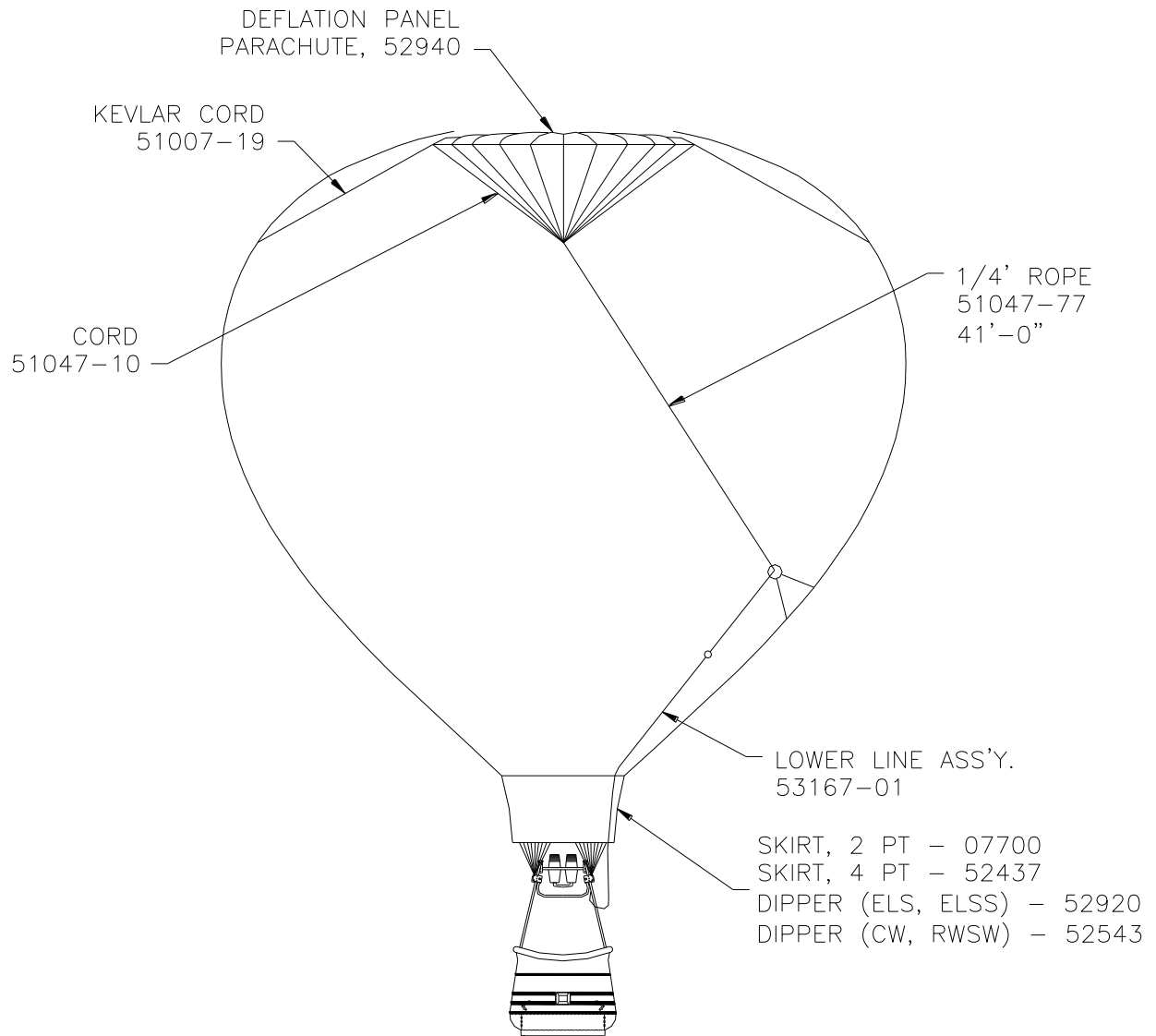
ROTATOR VENT
S49A

Figure S49A-2



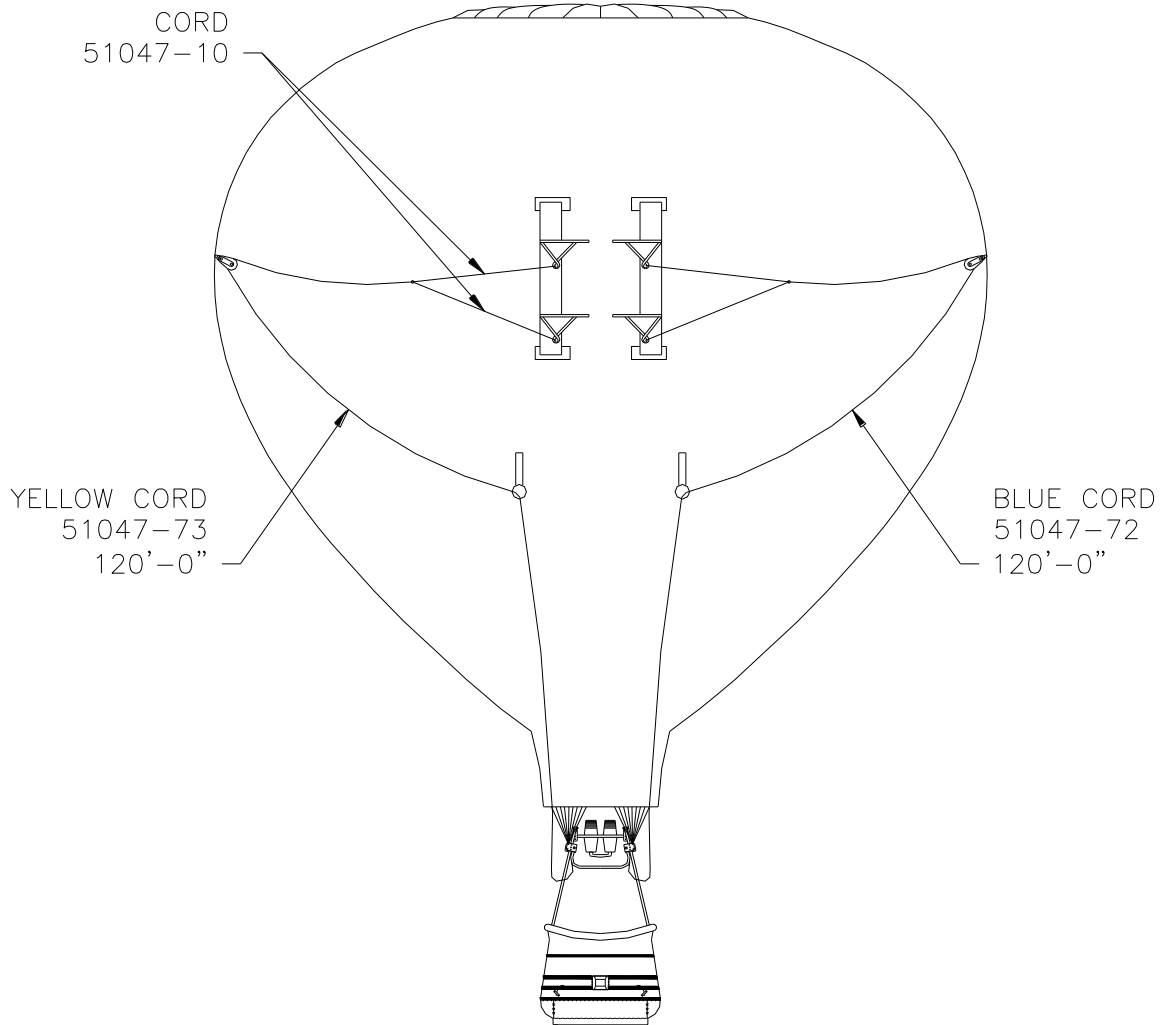
SPRING TOP
S50A

Figure S50A-1



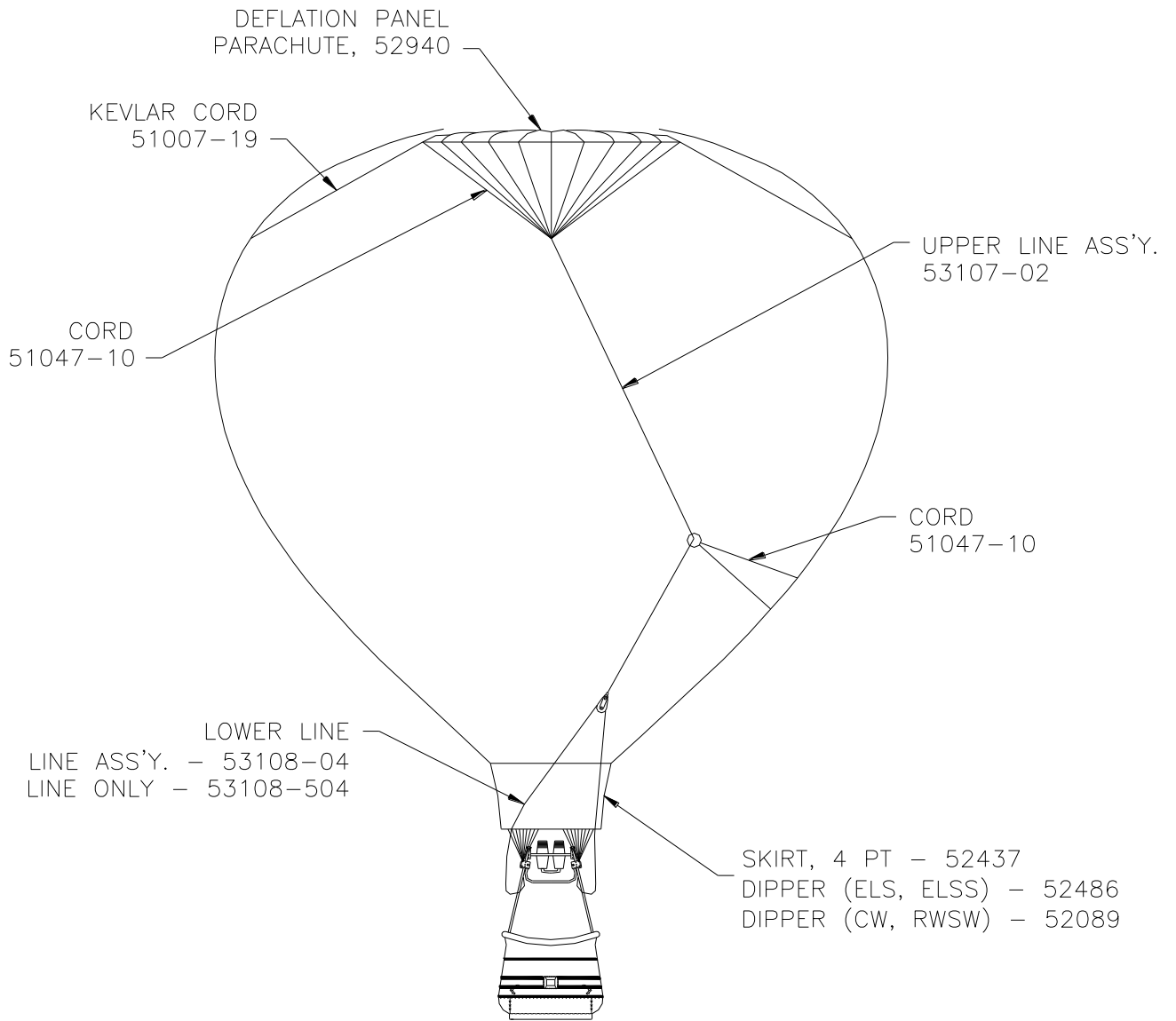
PARACHUTE TOP
S50A

Figure S50A-2



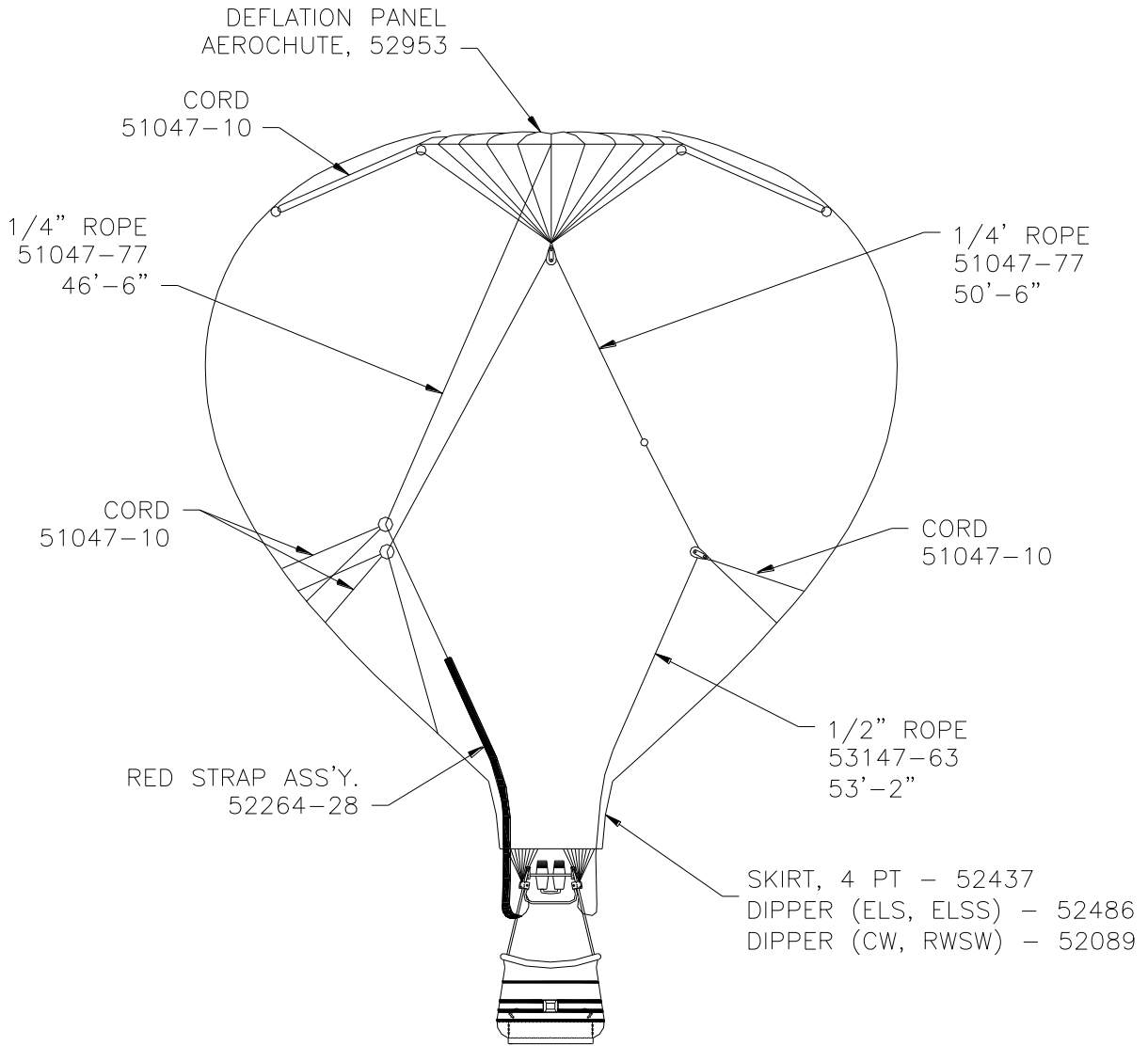
ROTATOR VENT
S50A

Figure S50A-3



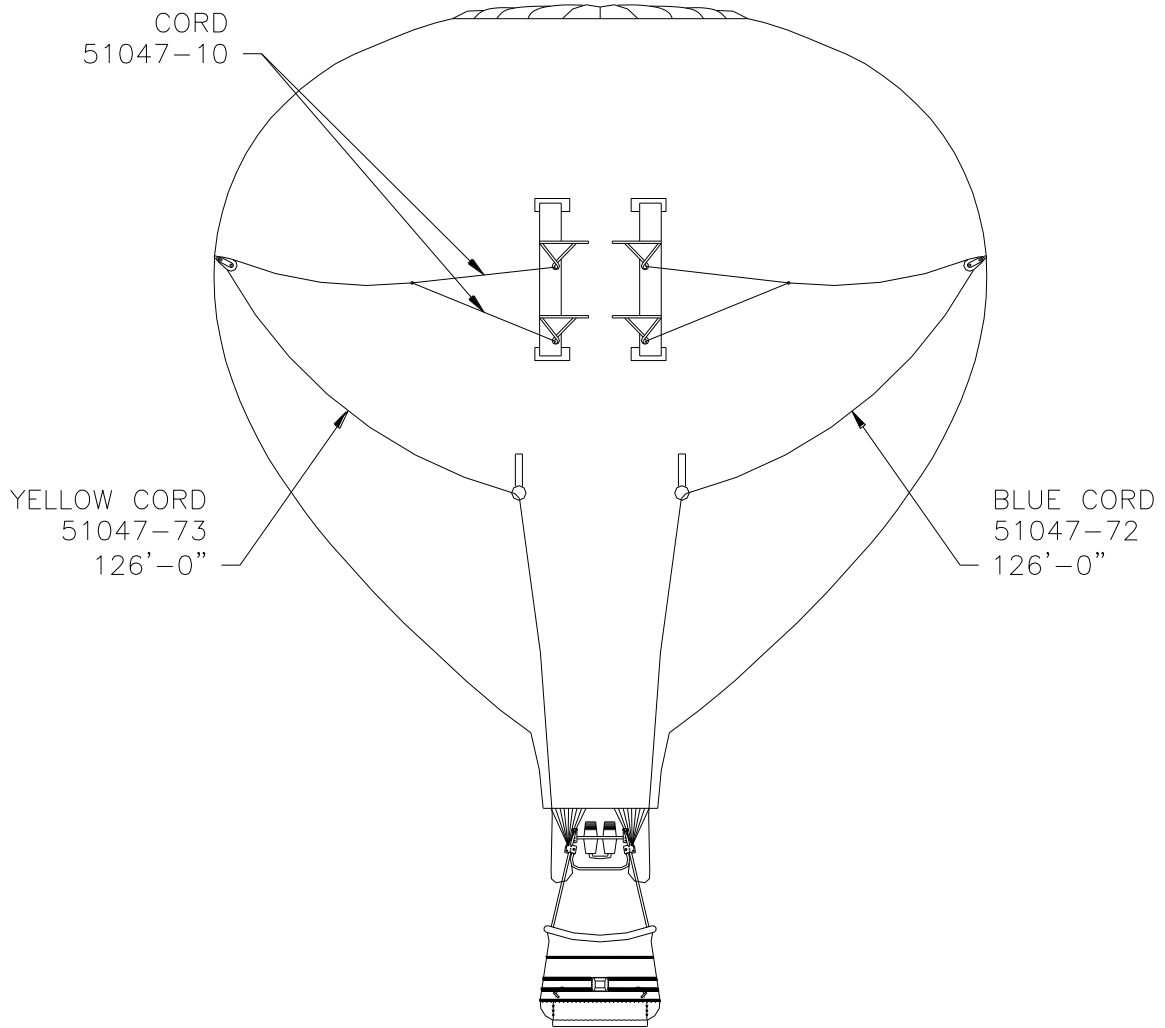
PARACHUTE TOP S51A

Figure S51A-1



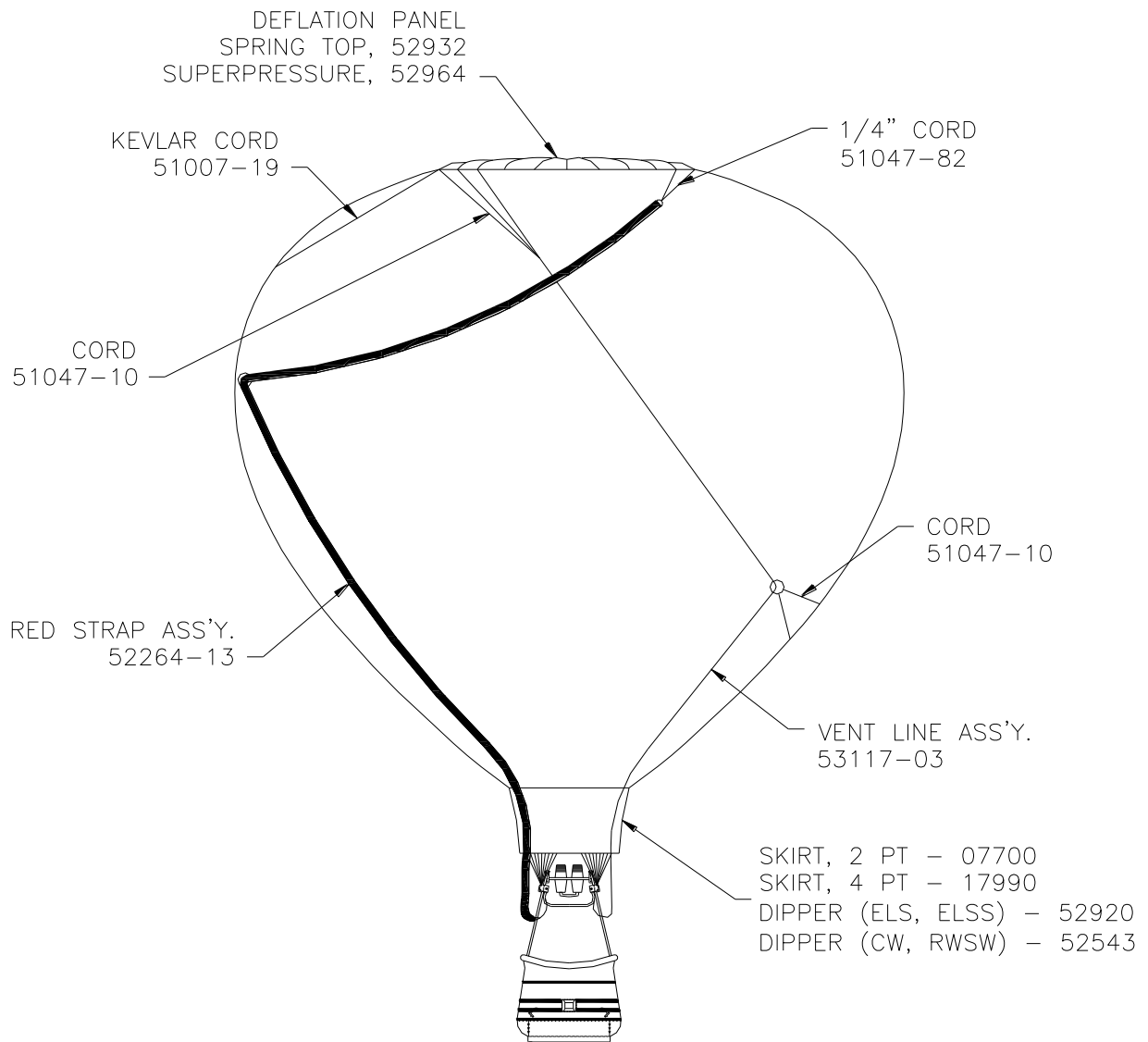
AEROCHUTE TOP S51A

Figure S51A-2



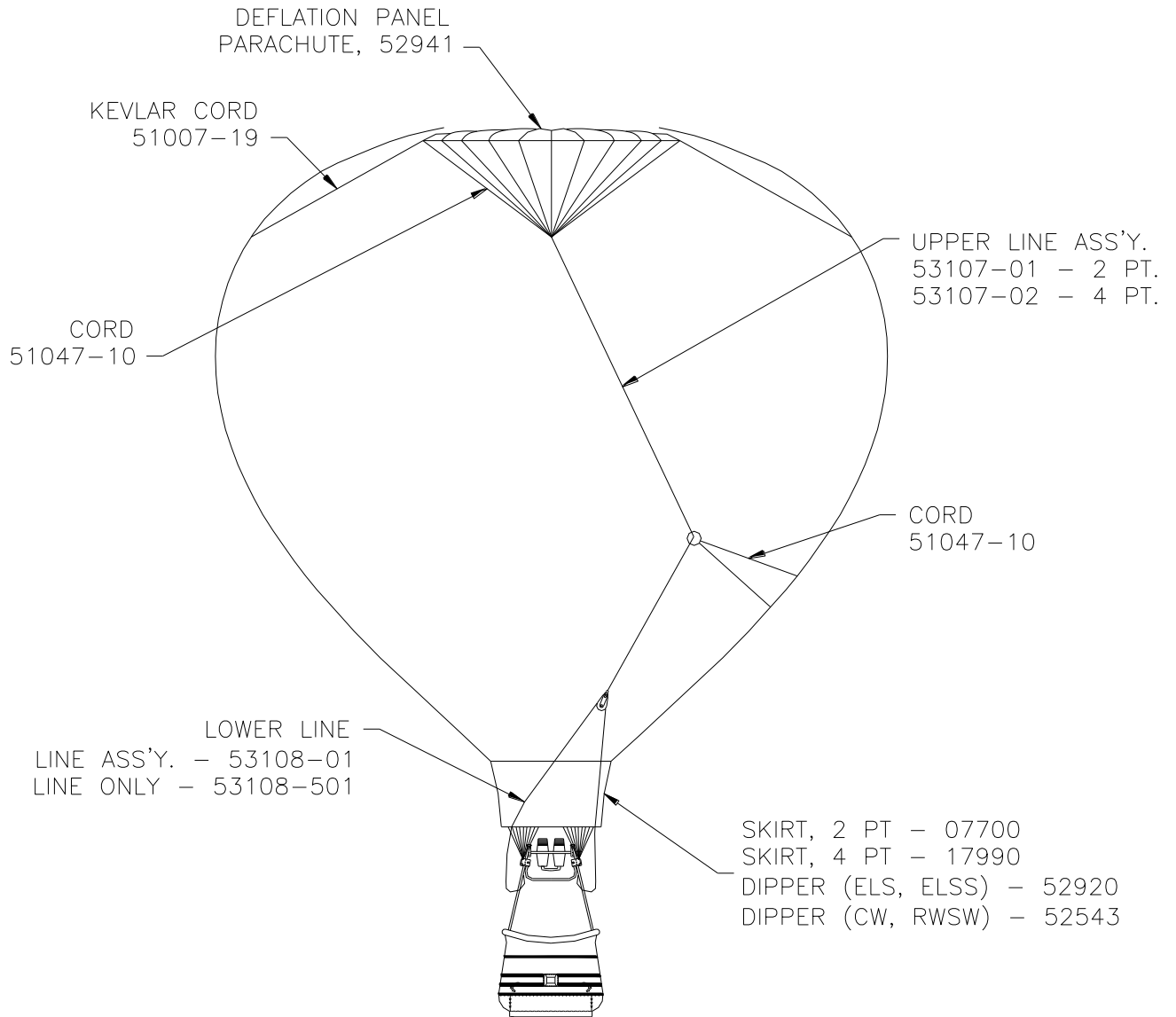
ROTATOR VENT
S51A

Figure S51A-3



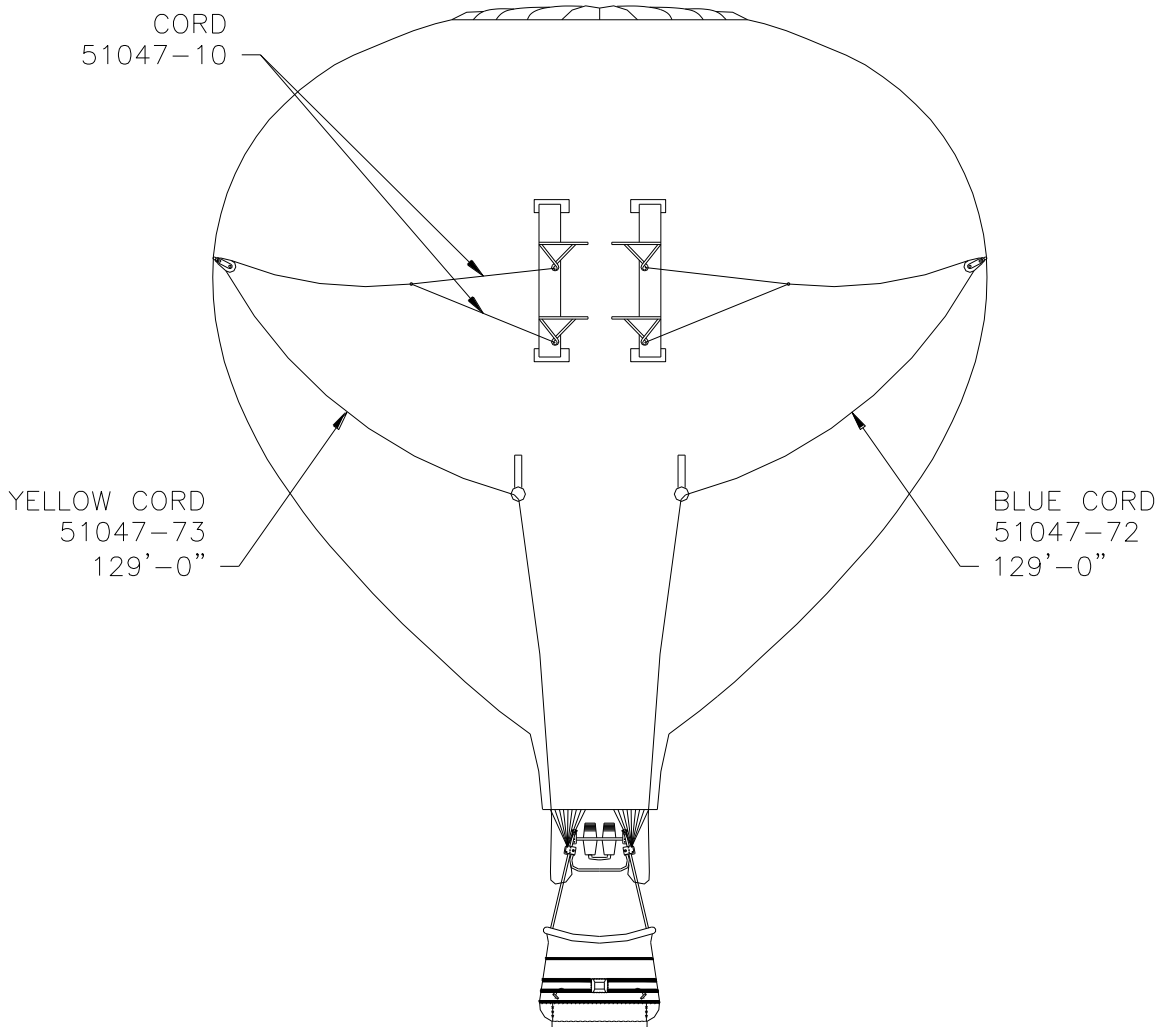
SPRING TOP
S52A

Figure S52A-1



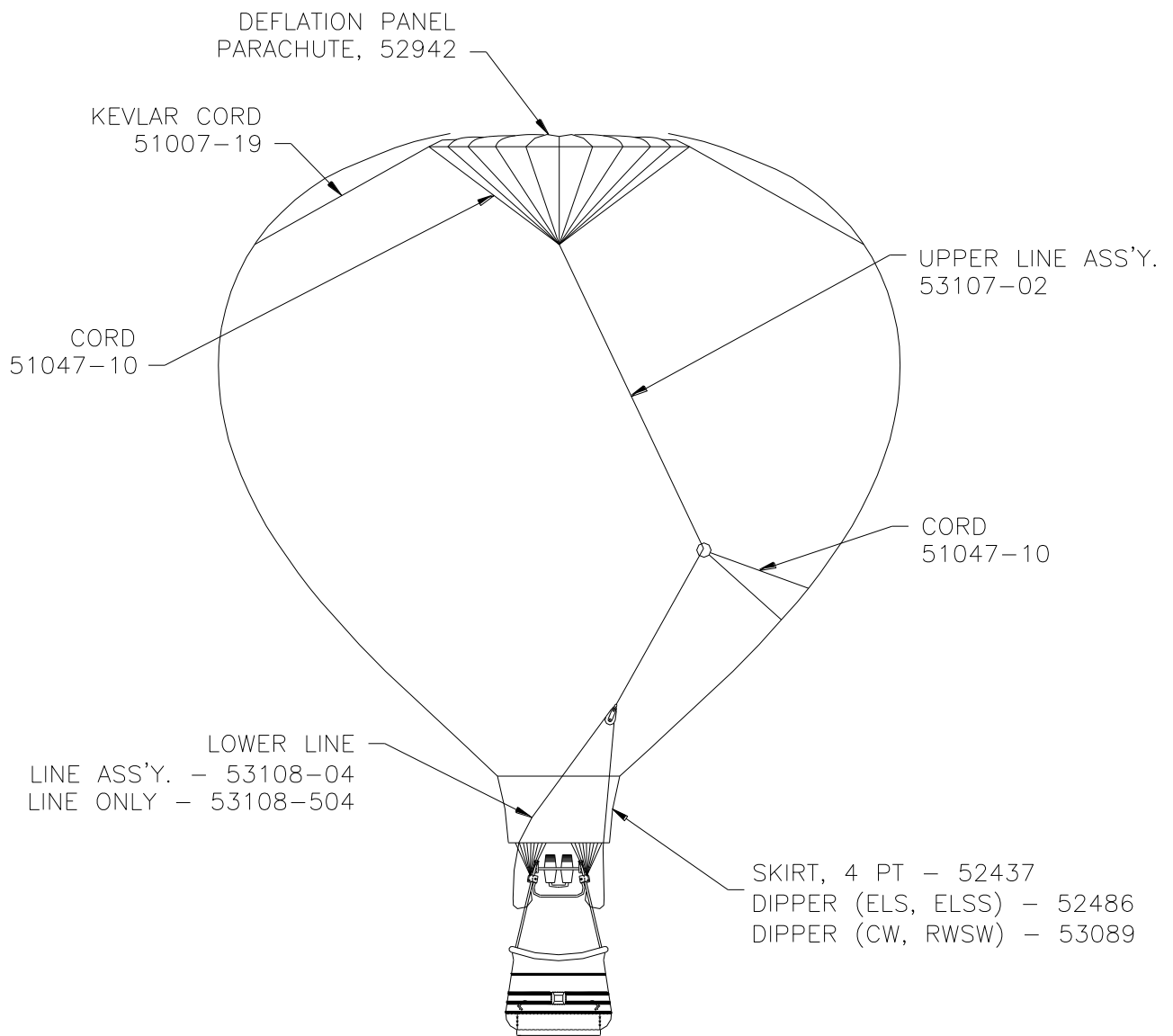
PARACHUTE TOP
S52A

Figure S52A-2



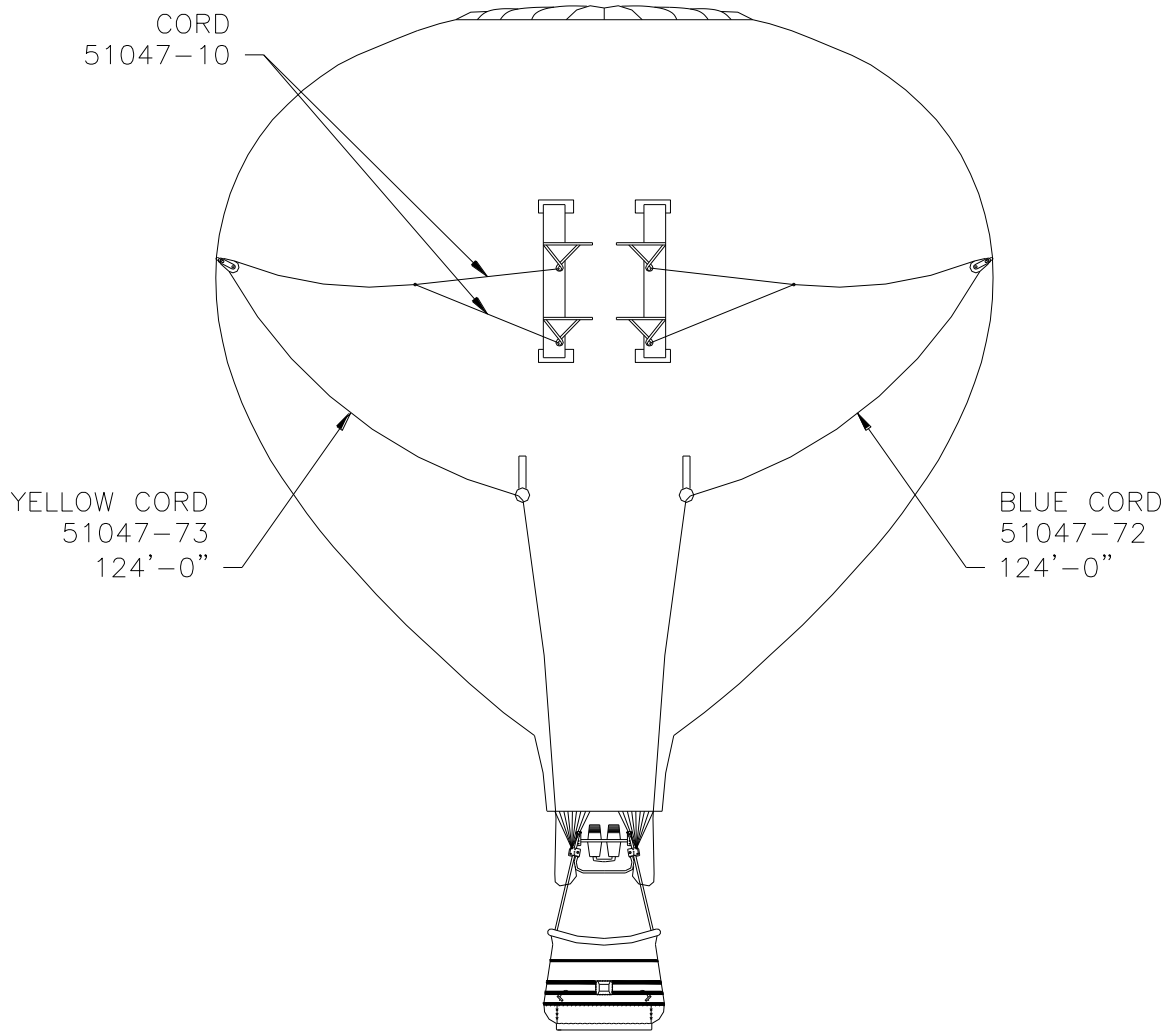
ROTATOR VENT
S52A

Figure S52A-3



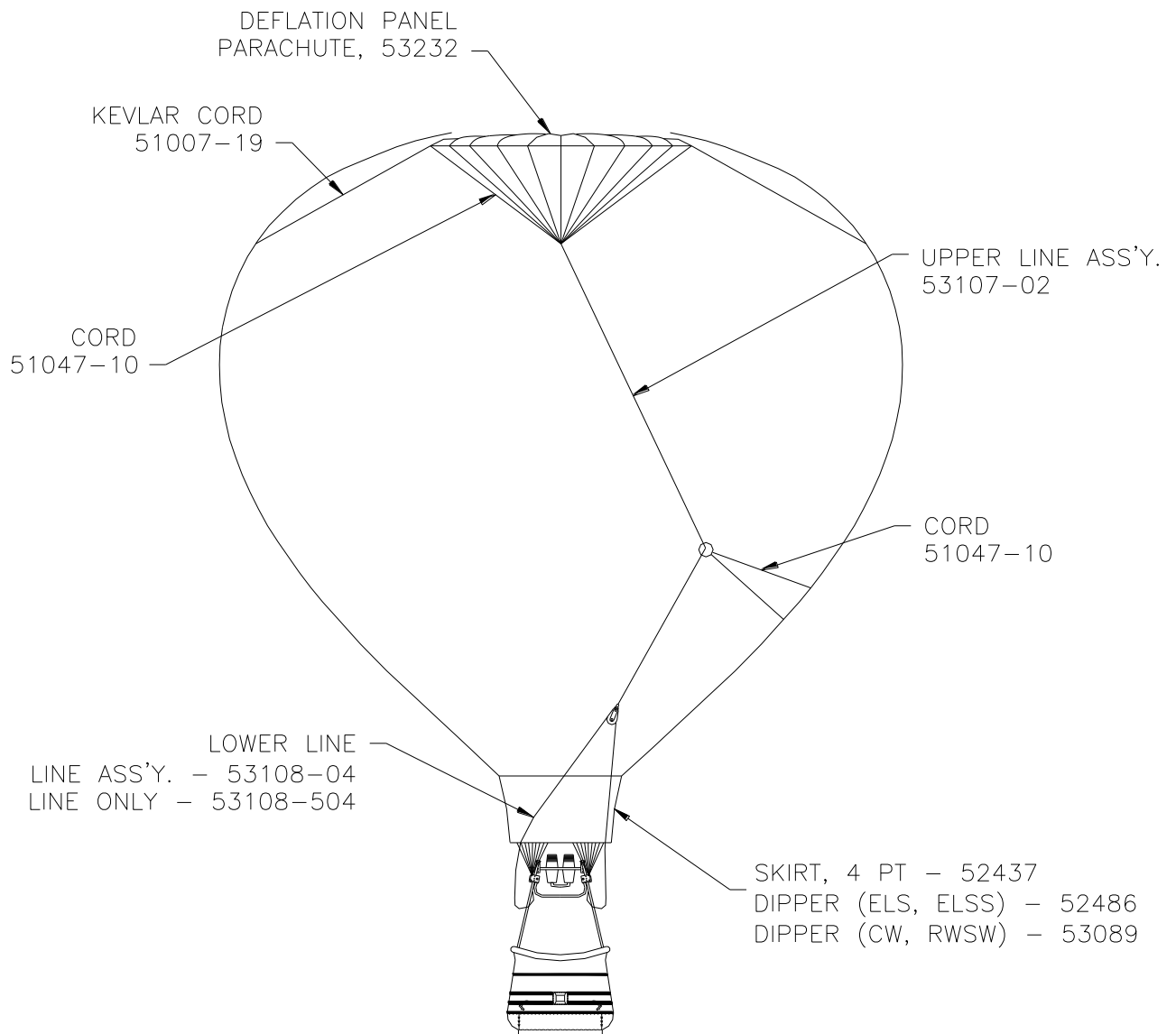
PARACHUTE TOP S53A

Figure S53A-1



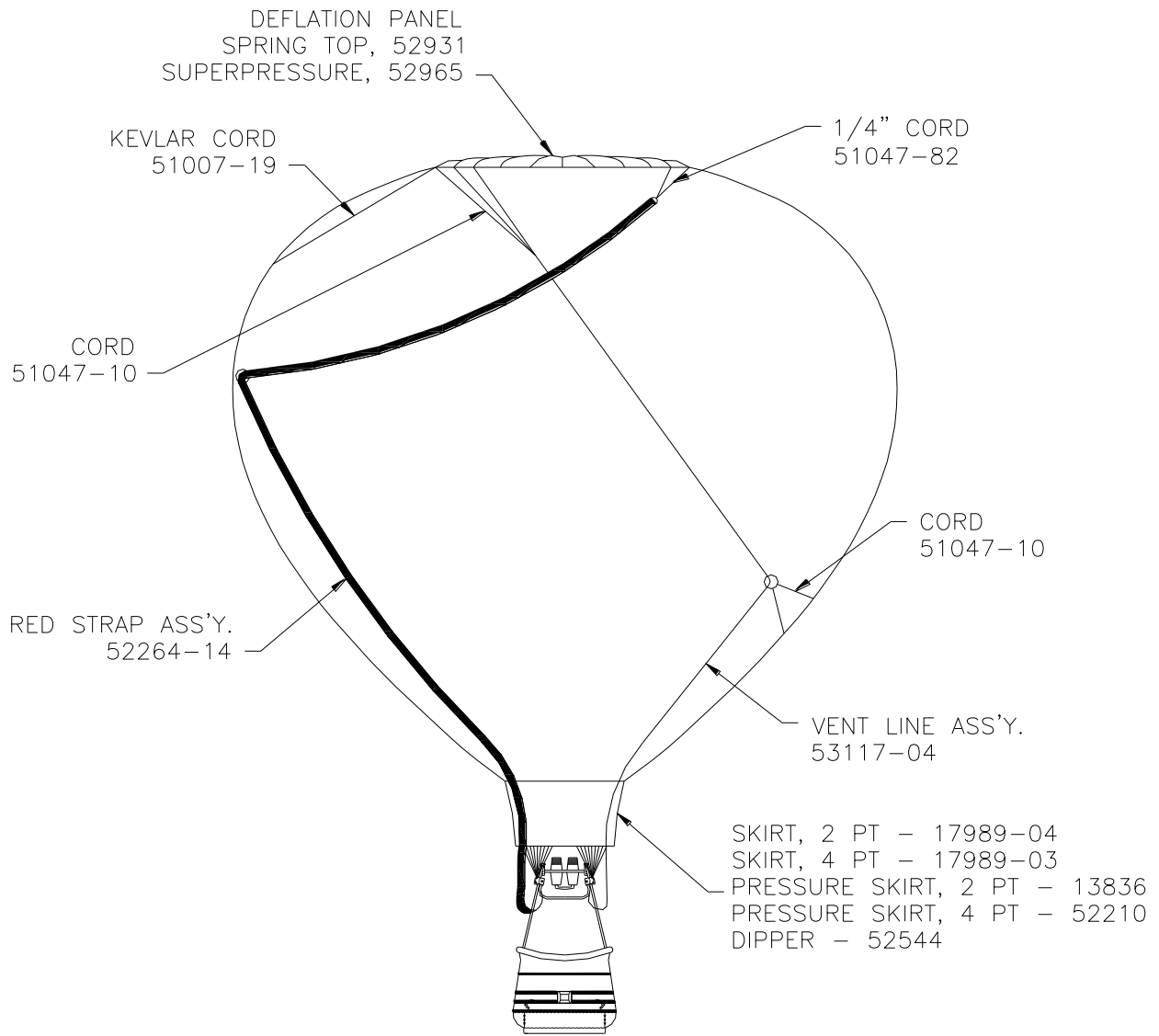
ROTATOR VENT
S53A

Figure S53A-2



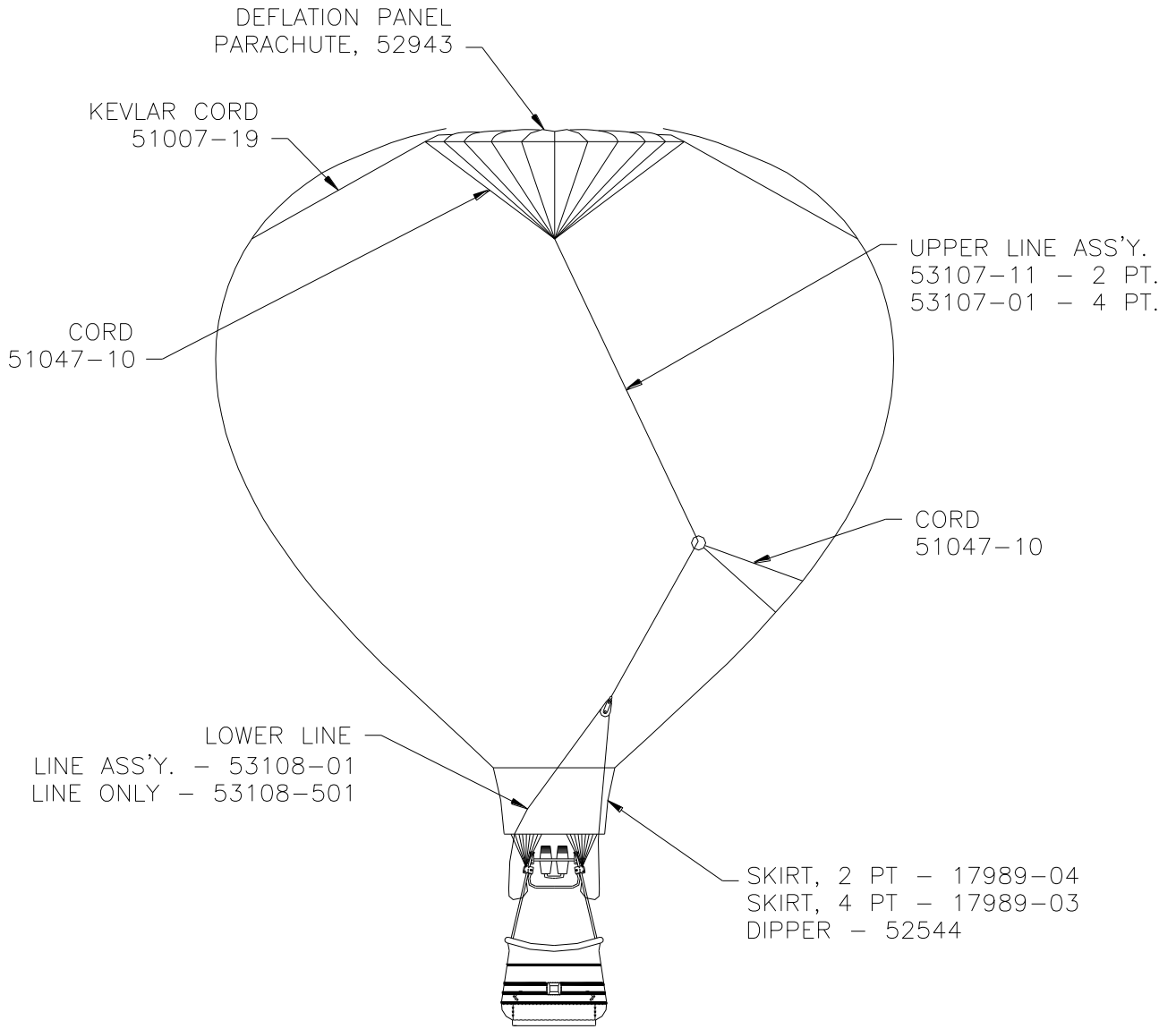
PARACHUTE TOP S53H

Figure S53H-1



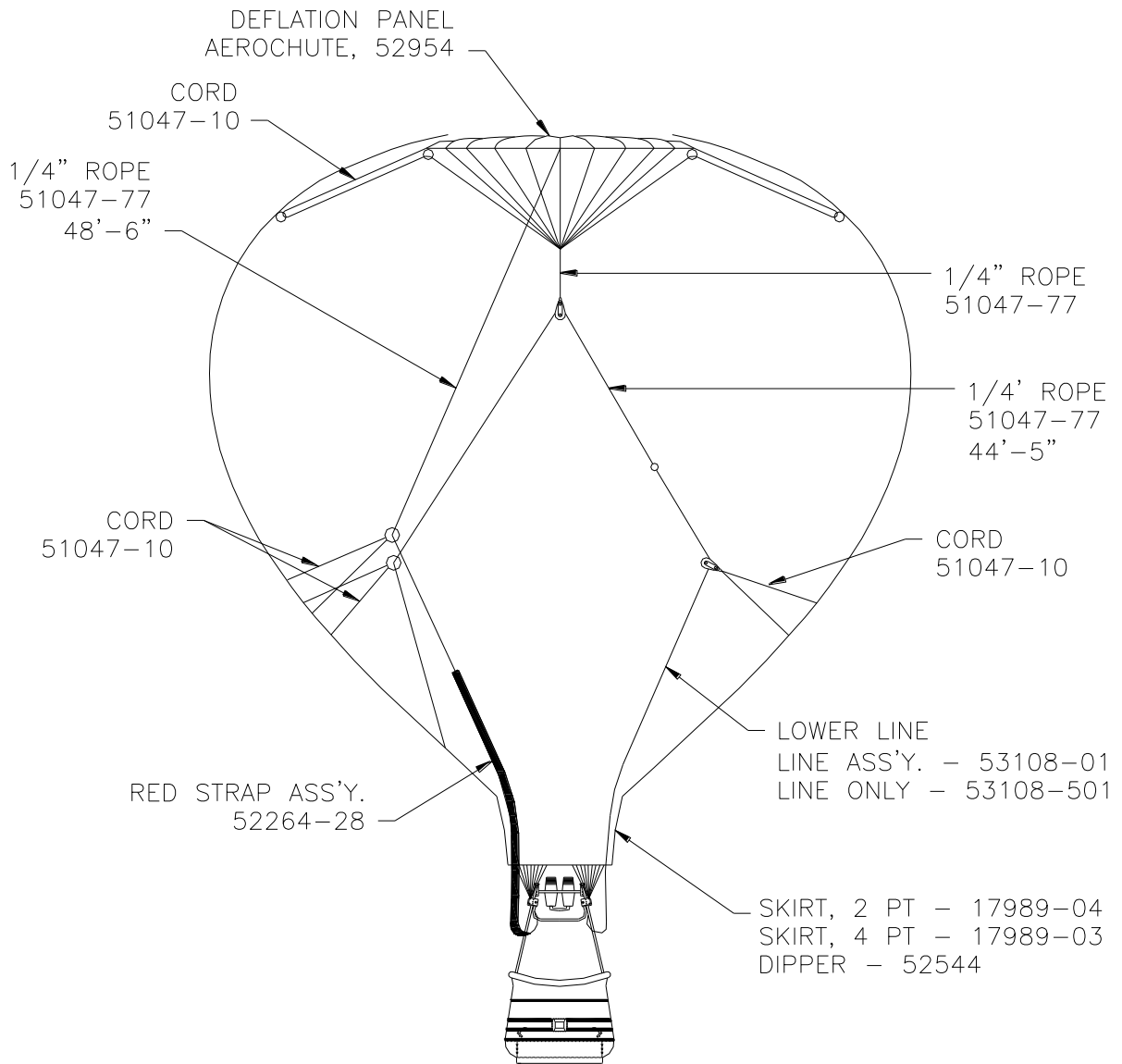
SPRING TOP
S55A

Figure S55A-1



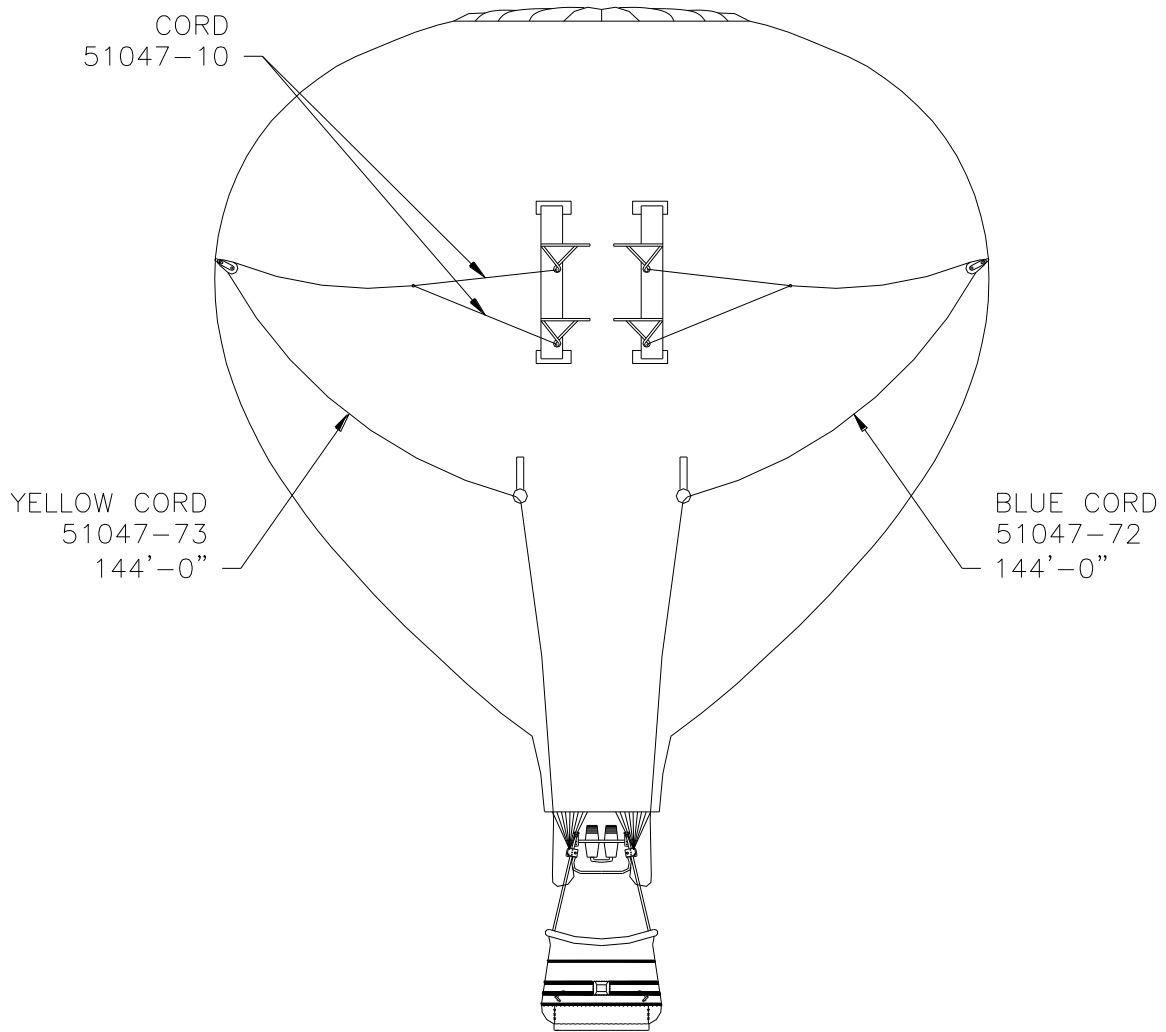
PARACHUTE TOP
S55A

Figure S55A-2



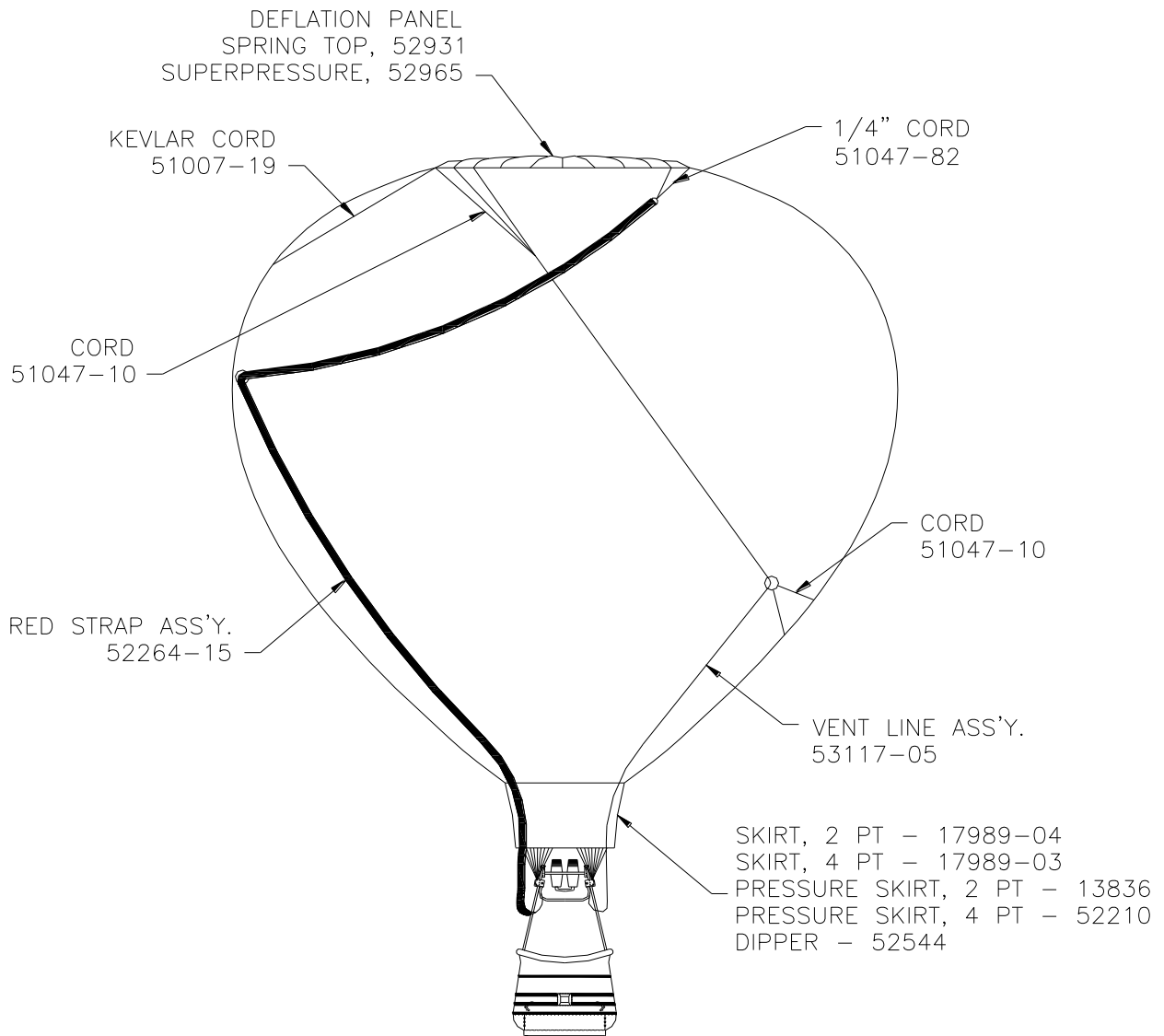
AEROCHUTE TOP S55A

Figure S55A-3



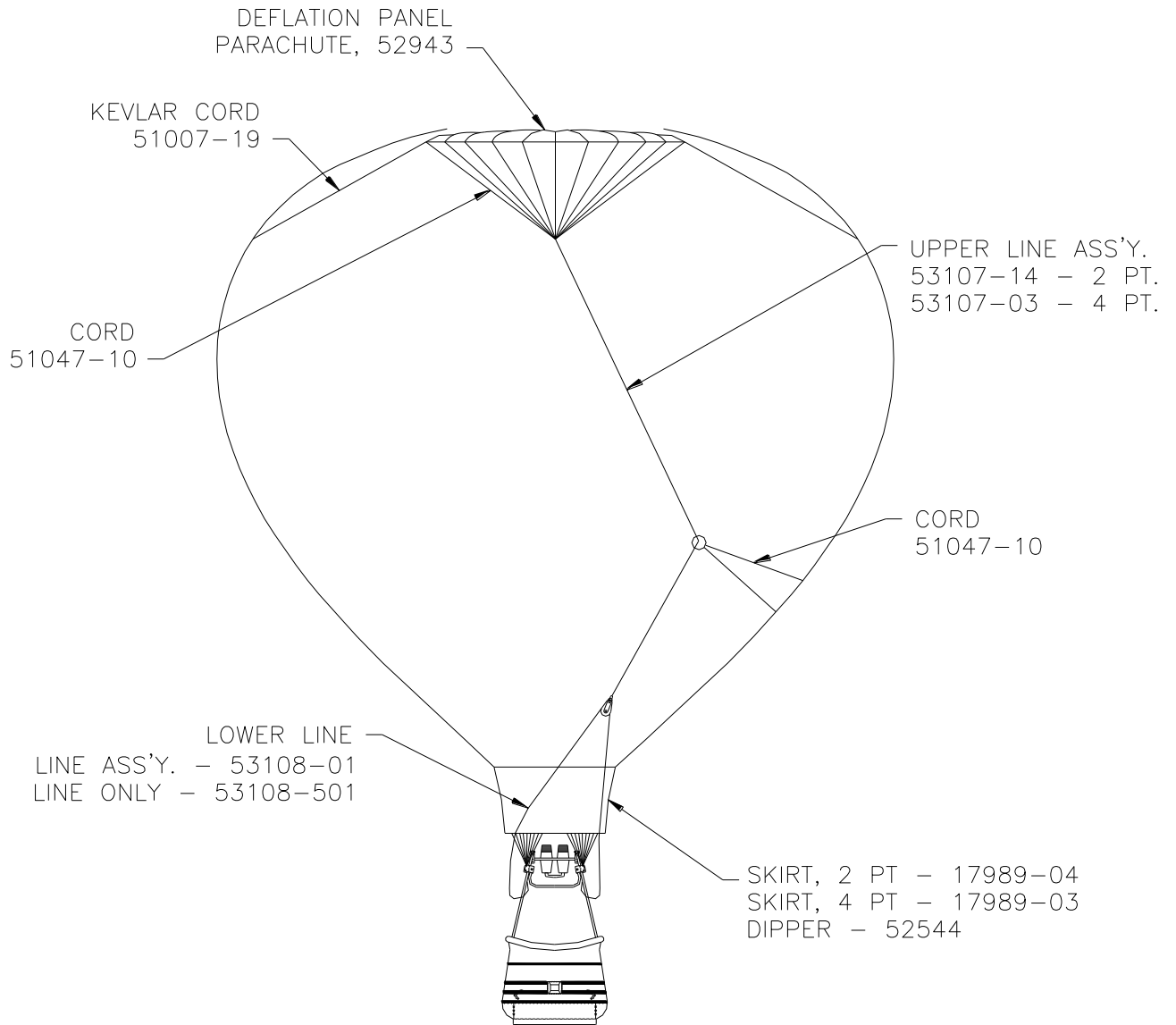
ROTATOR VENT
S55A

Figure S55A-4



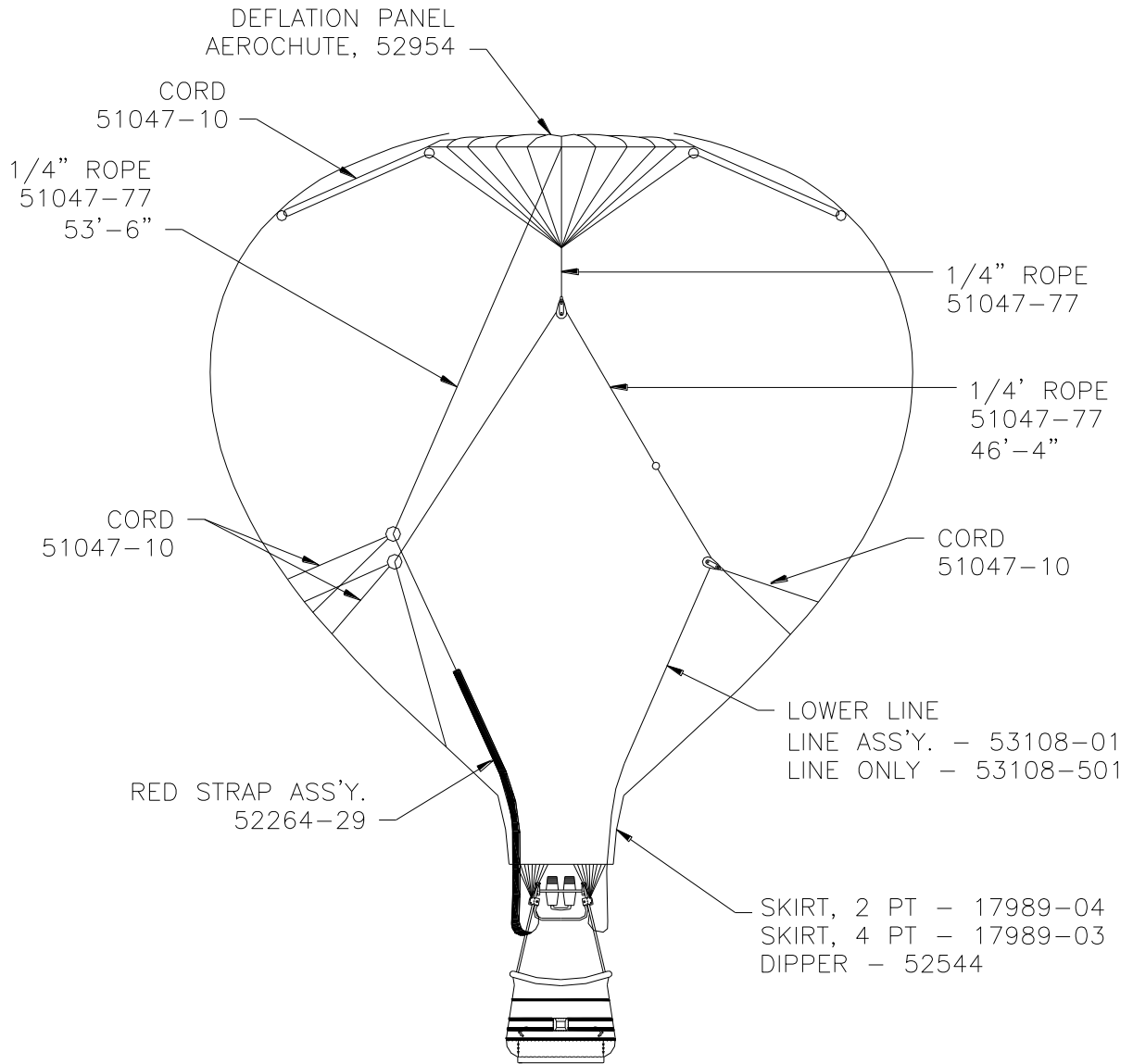
SPRING TOP
S57A

Figure S57A-1



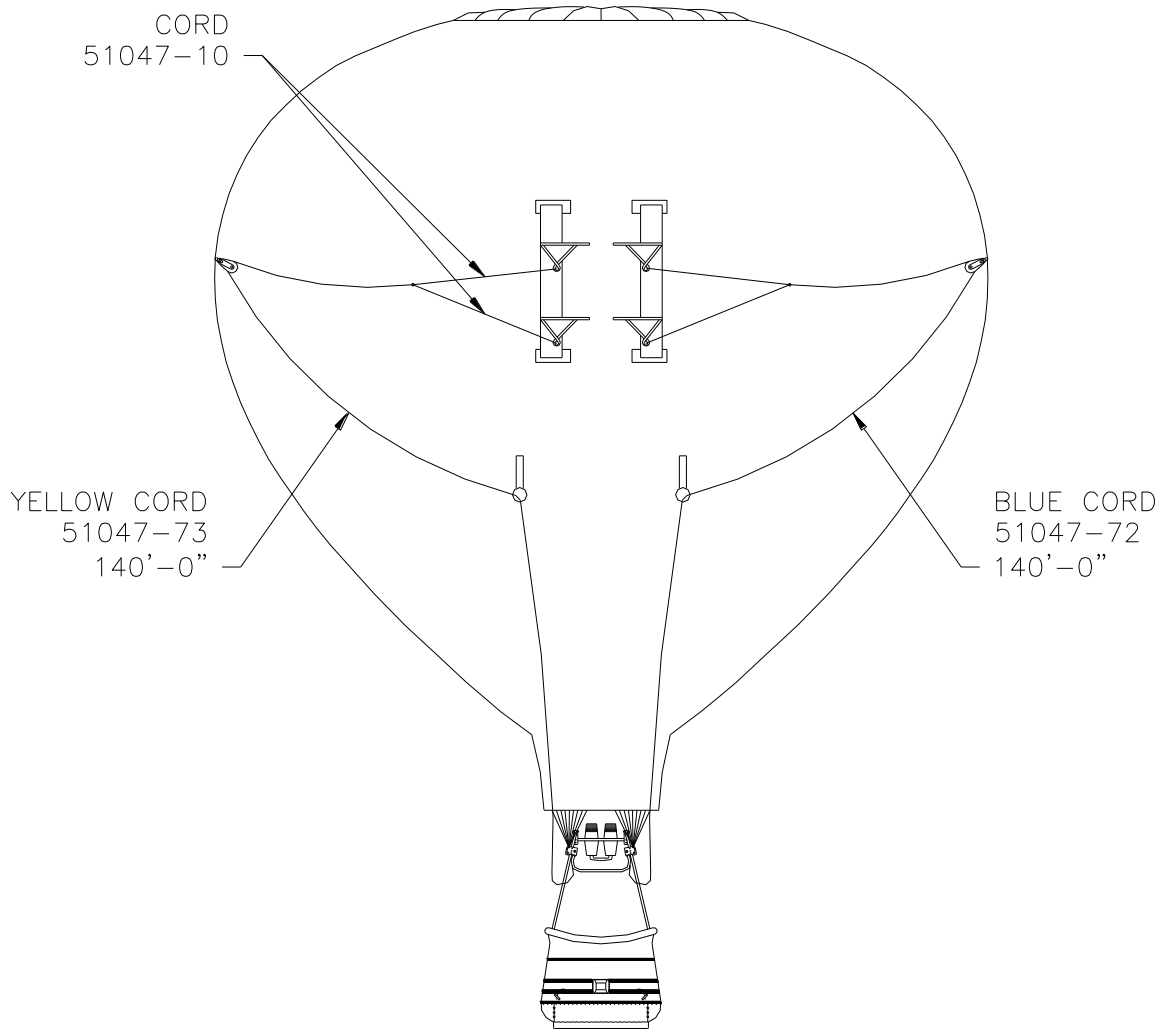
PARACHUTE TOP
S57A

Figure S57A-2



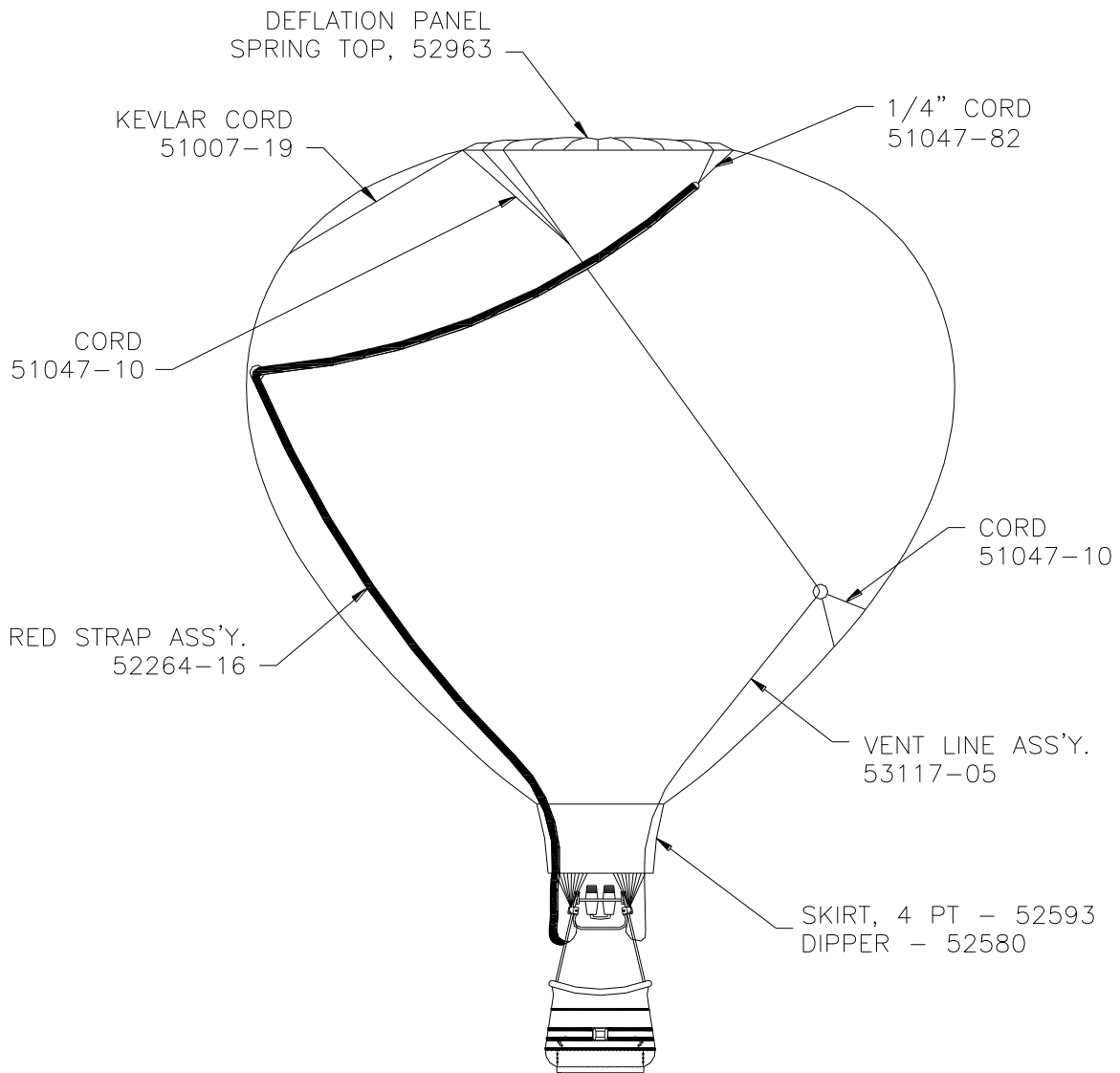
AEROCHUTE TOP S57A

Figure S57A-3



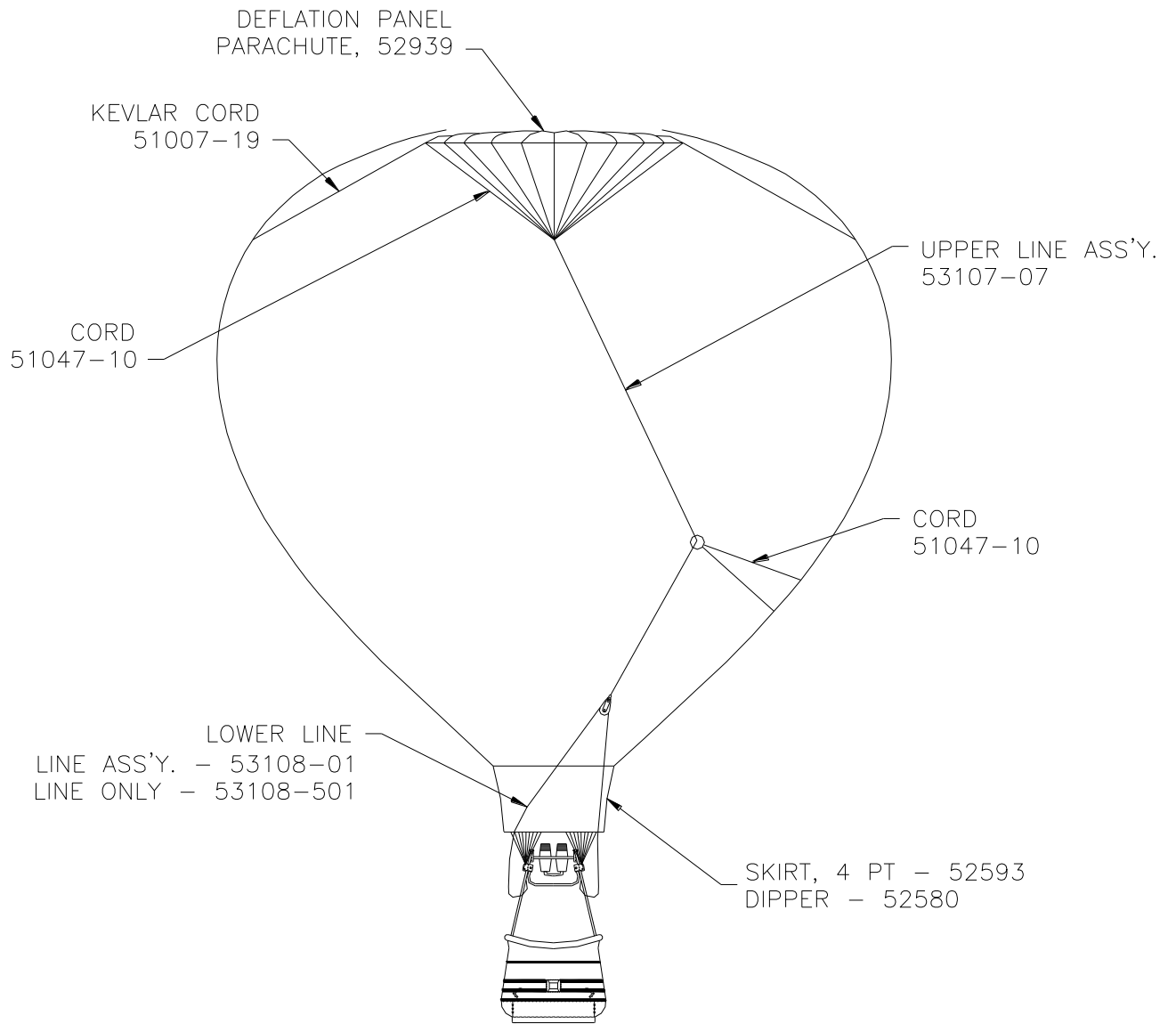
ROTATOR VENT
S57A

Figure S57A-4



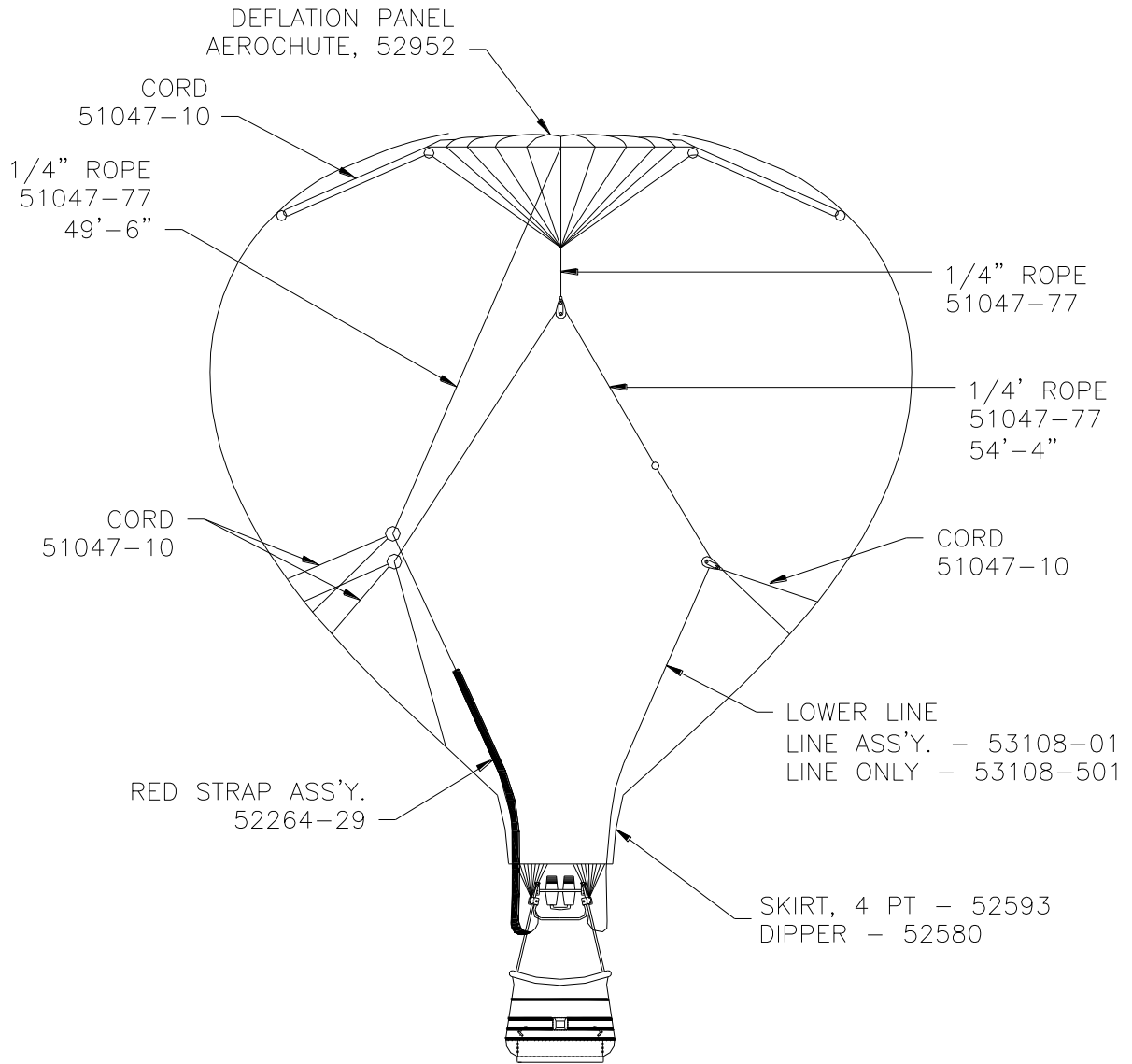
SPRING TOP
S57S

Figure S57S-1



PARACHUTE TOP S57S

Figure S57S-2



AEROCHUTE TOP S57S

Figure S57S-3

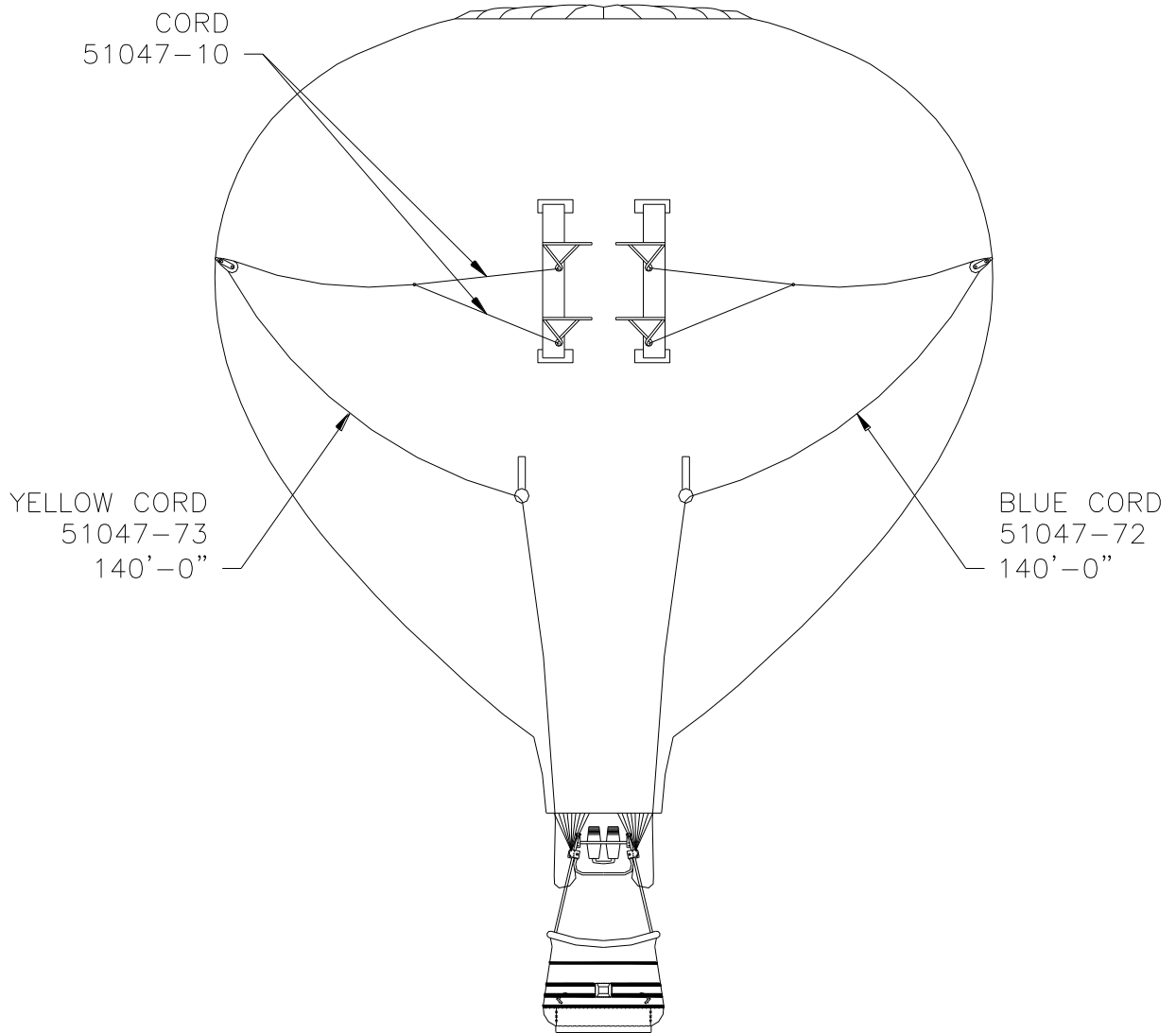
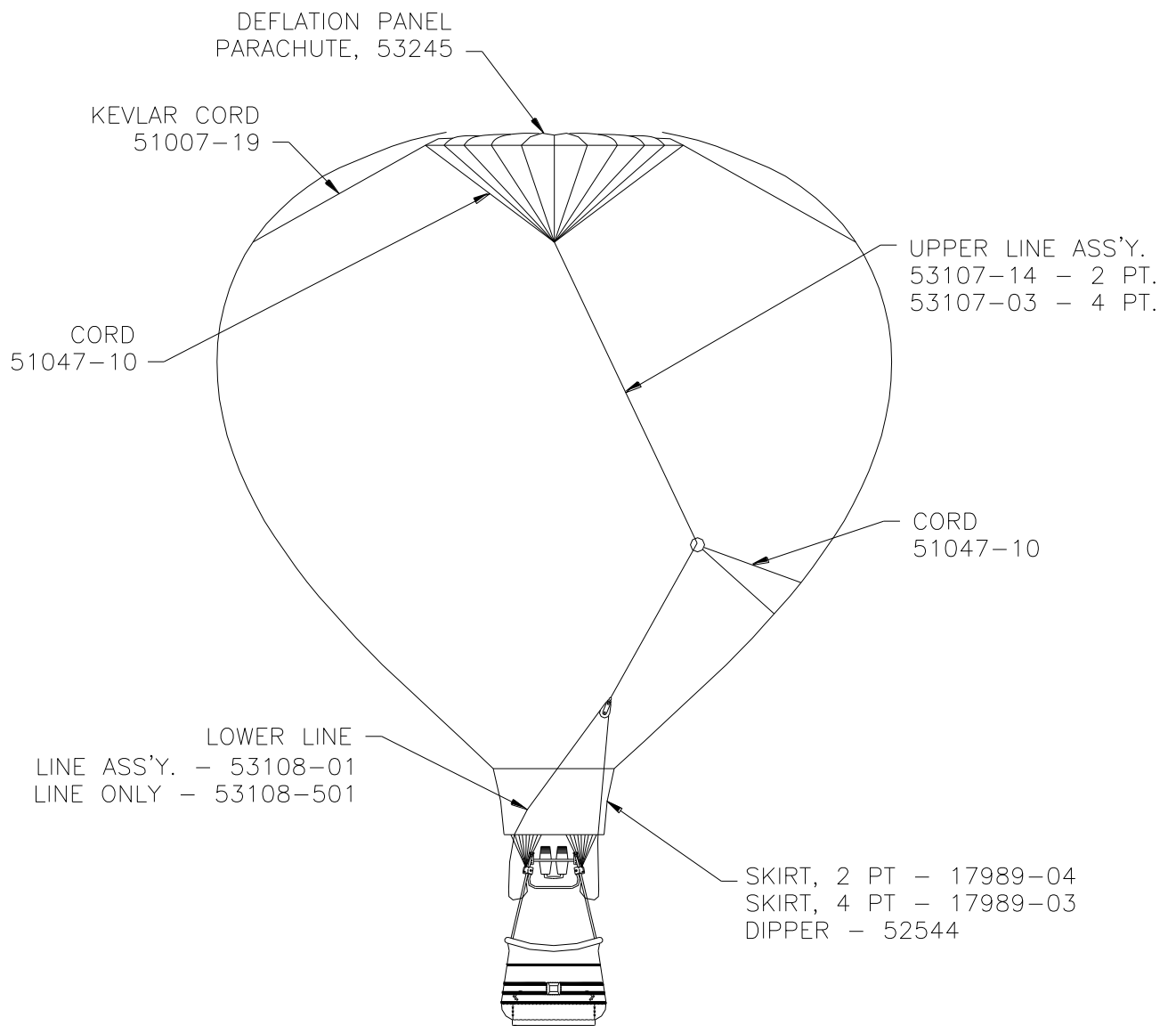
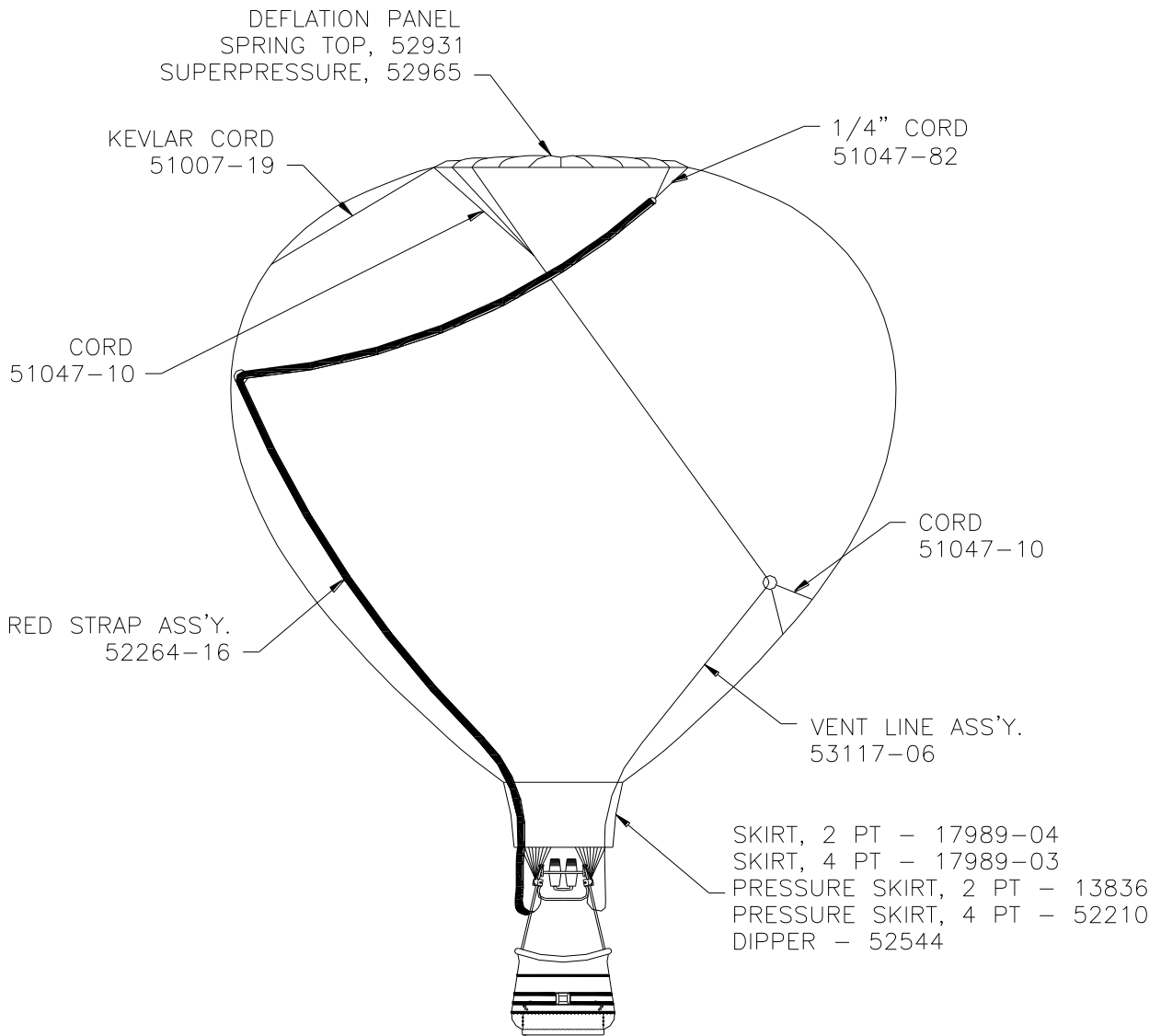


Figure S57S-4



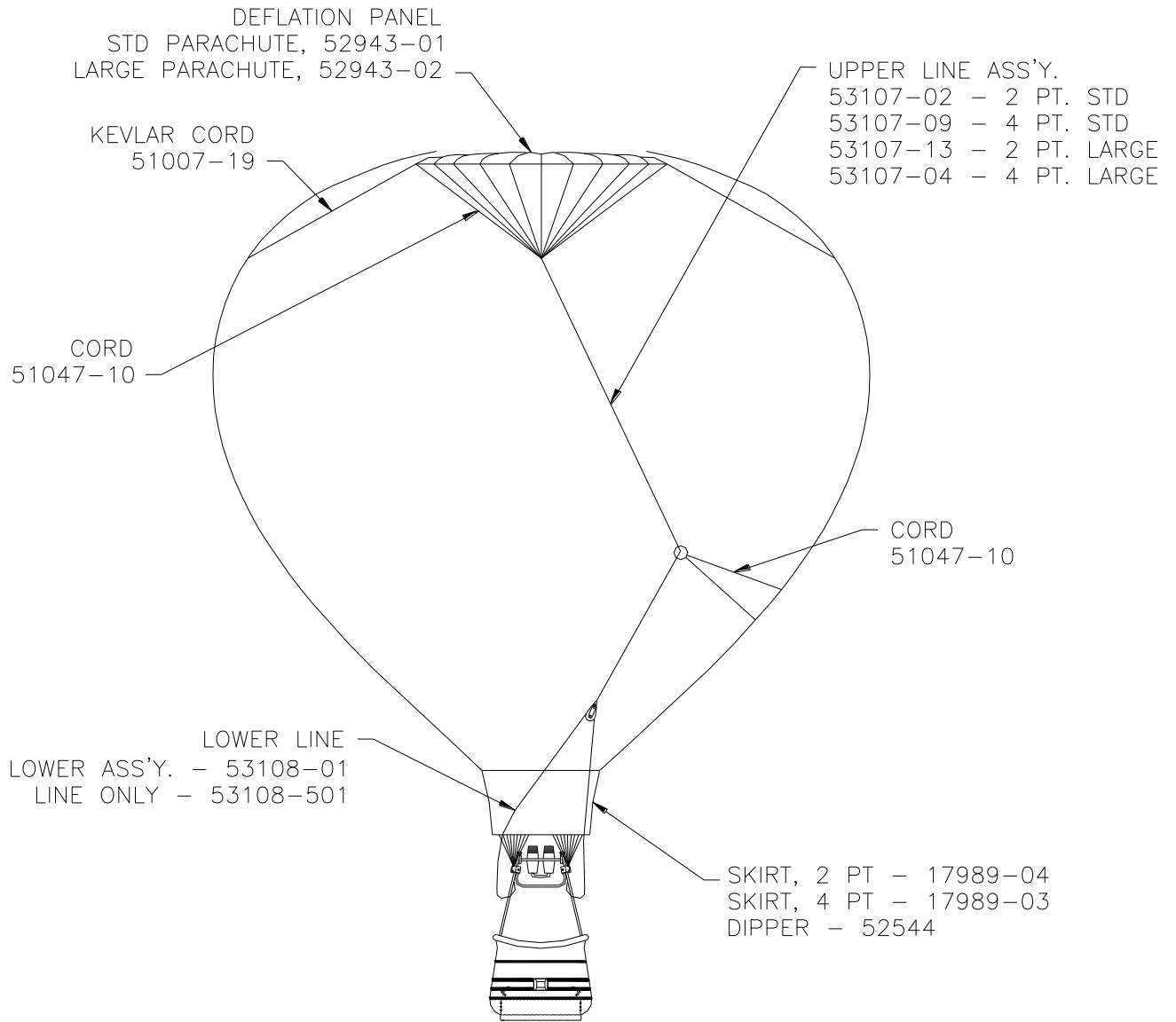
PARACHUTE TOP S57H

Figure S57H-1



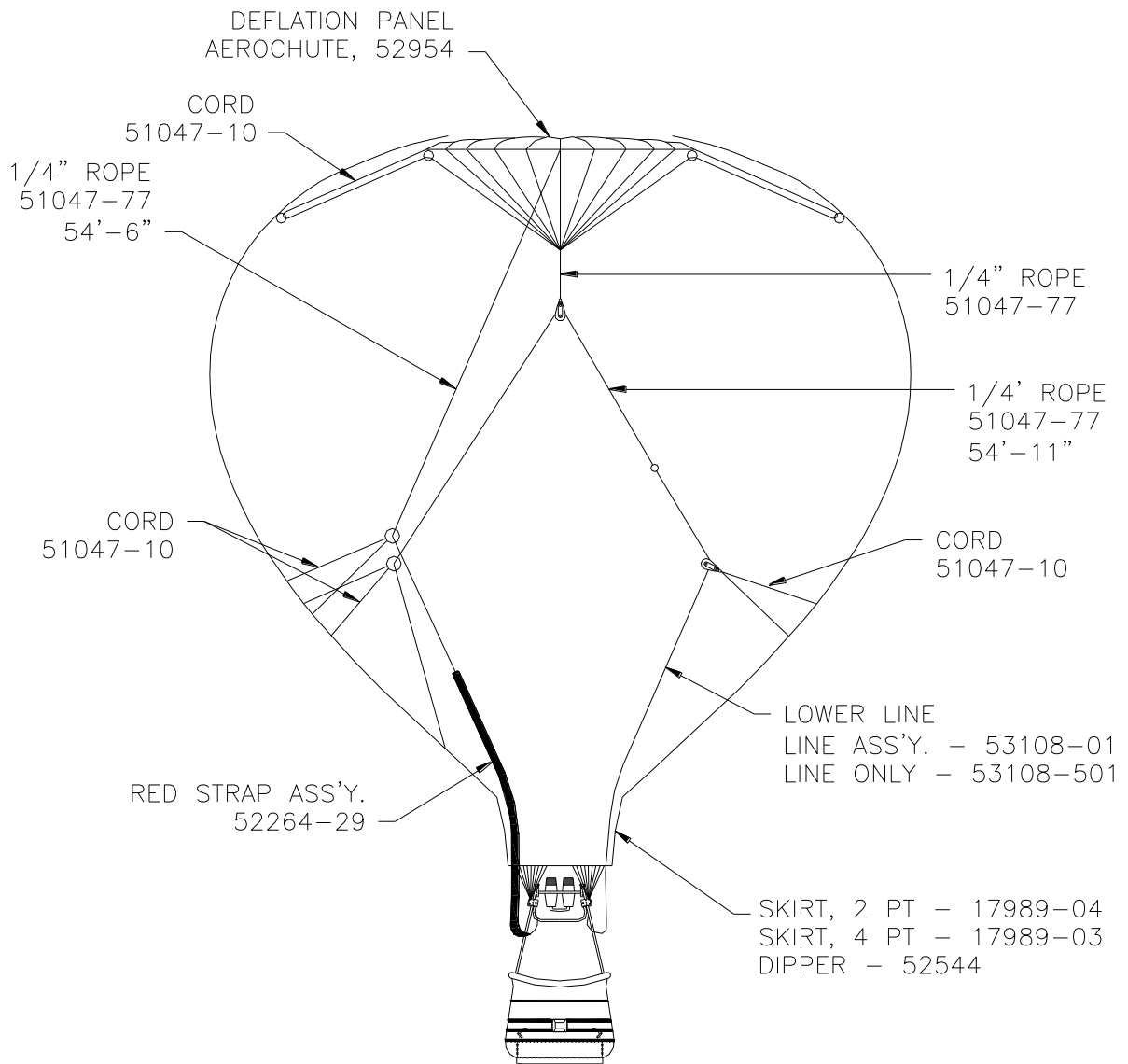
SPRING TOP
S60A

Figure S60A-1



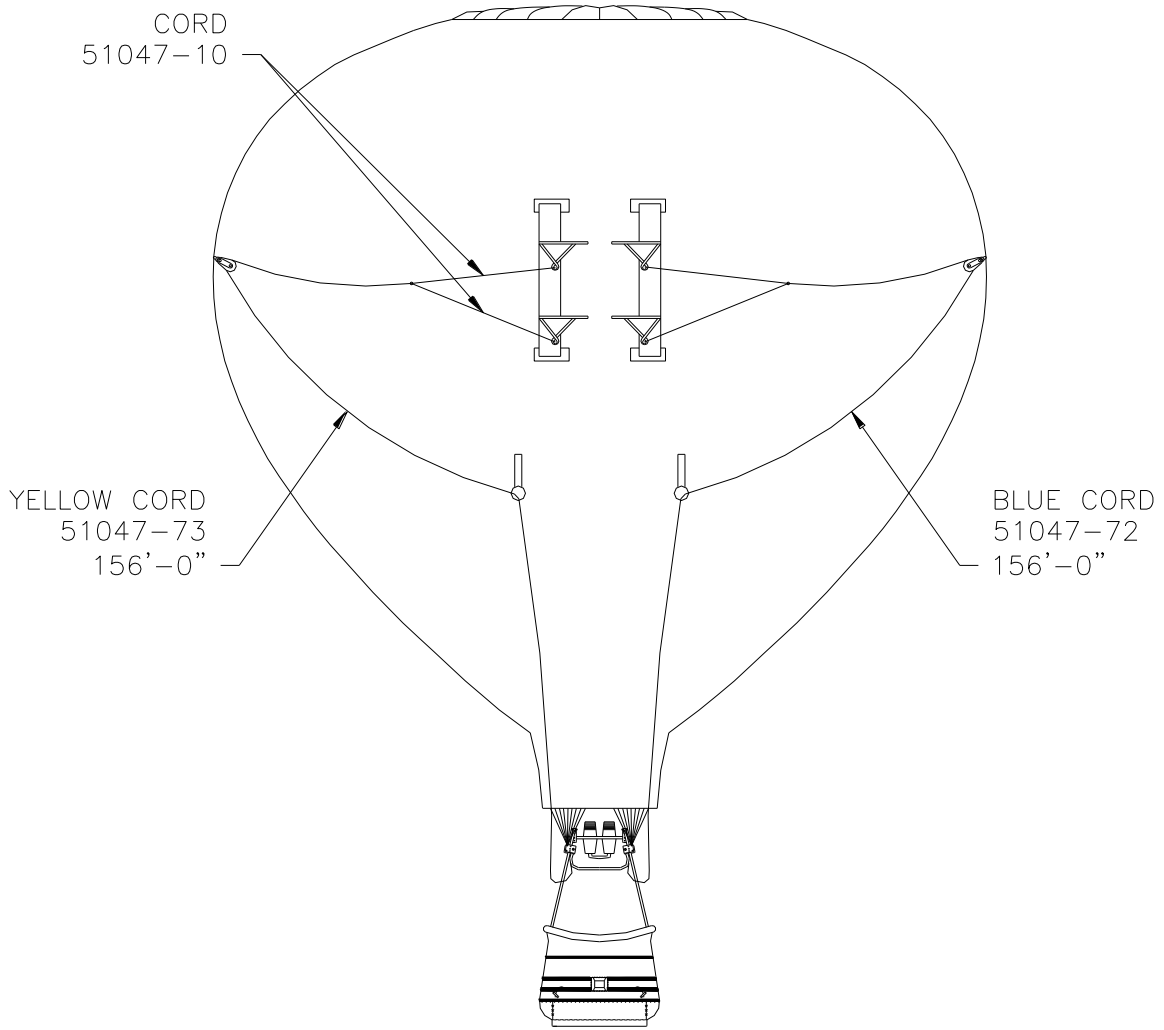
PARACHUTE TOP
S60A

Figure S60A-2



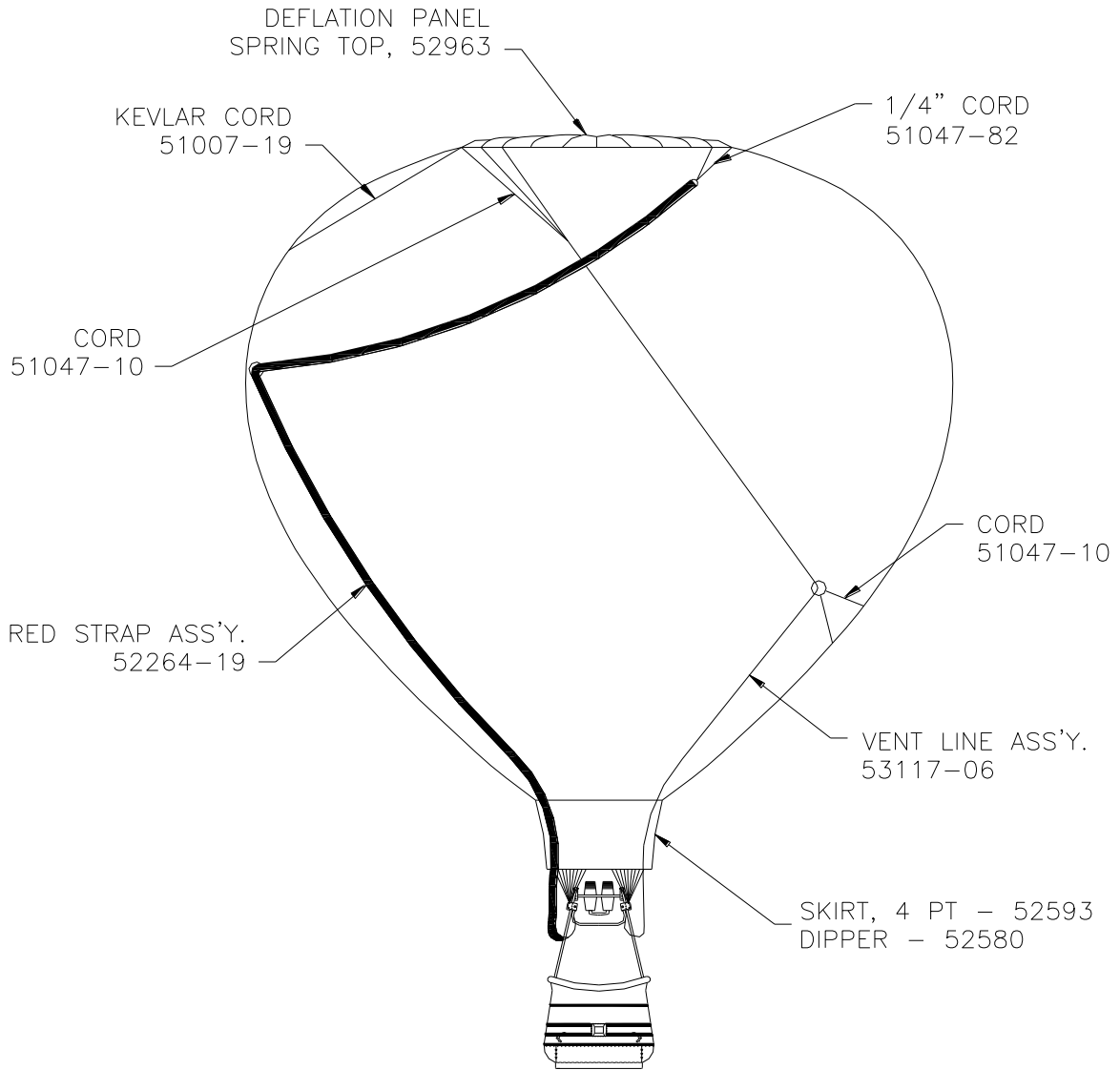
AEROCHUTE TOP S60A

Figure S60A-3



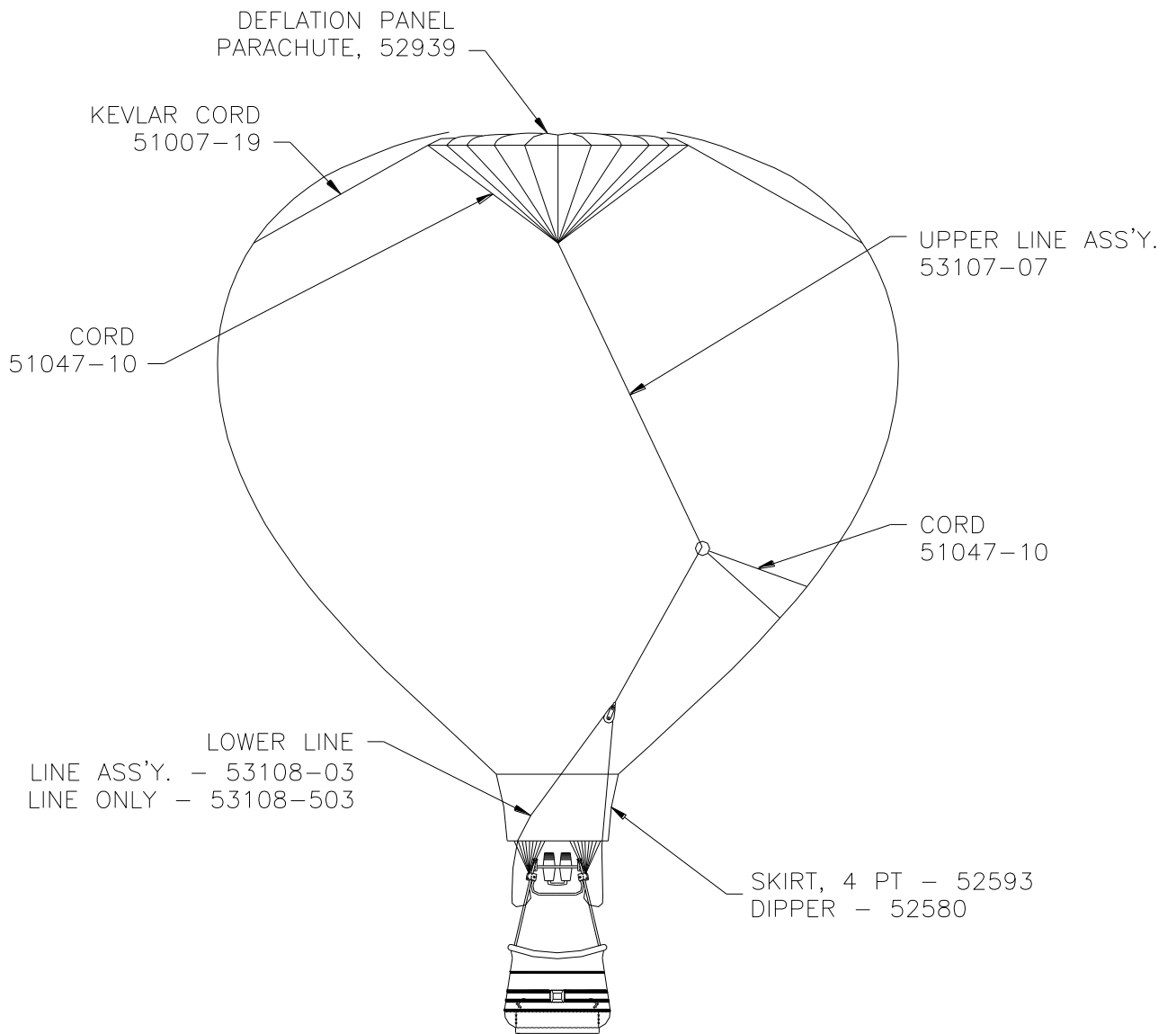
ROTATOR VENT S60A

Figure S60A-4



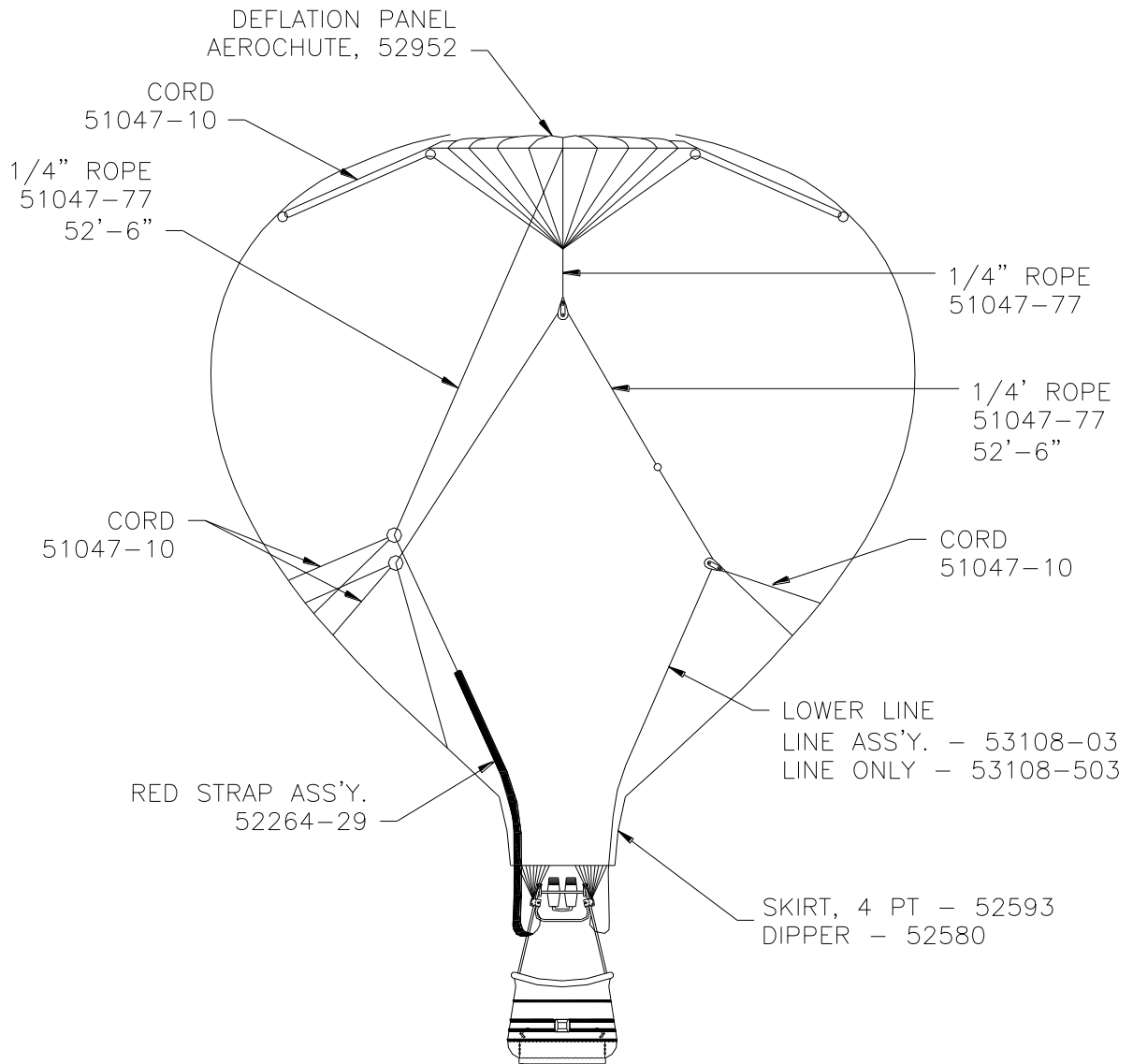
SPRING TOP S60S

Figure S60S-1



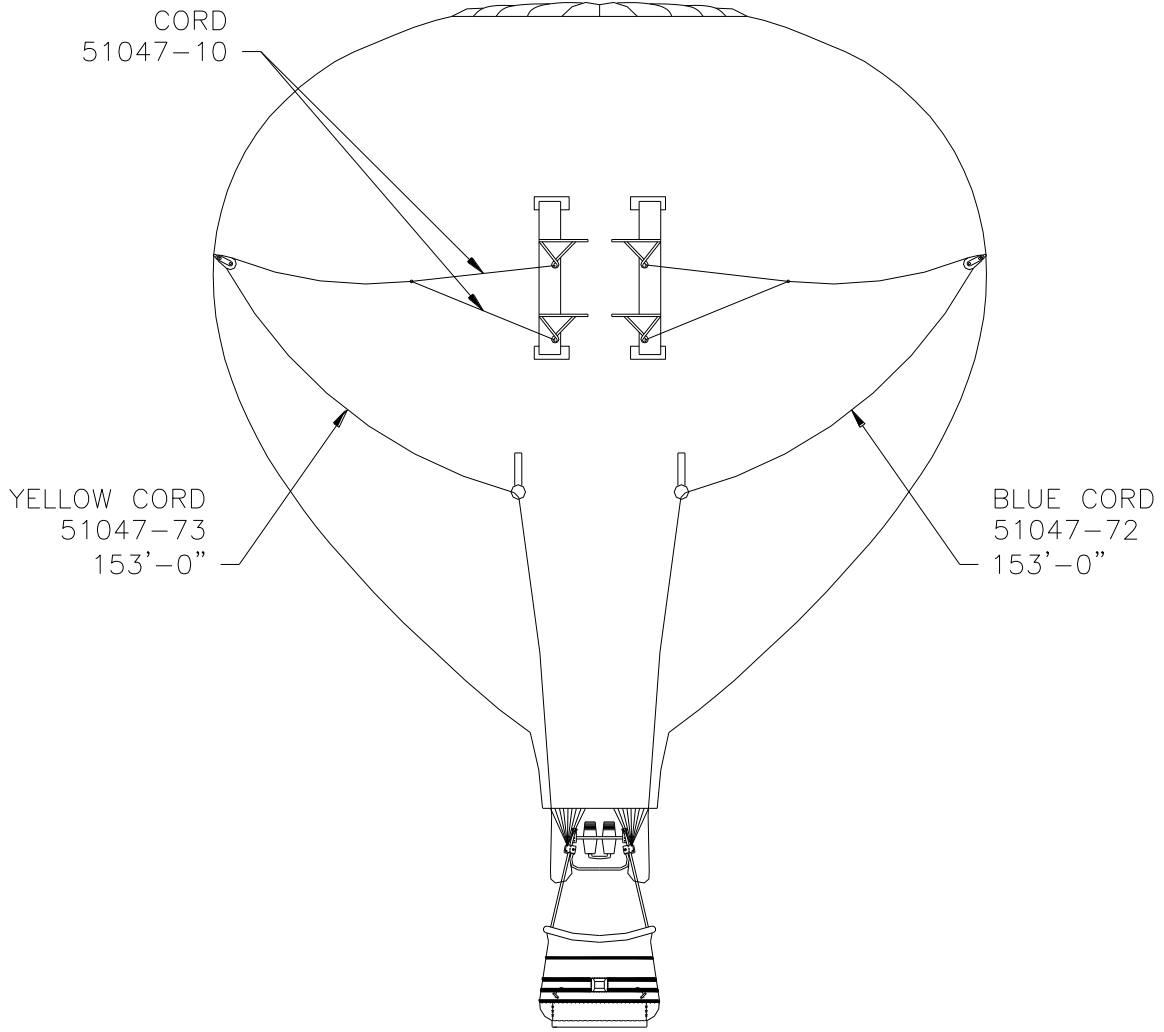
PARACHUTE TOP
S60S

Figure S60S-2



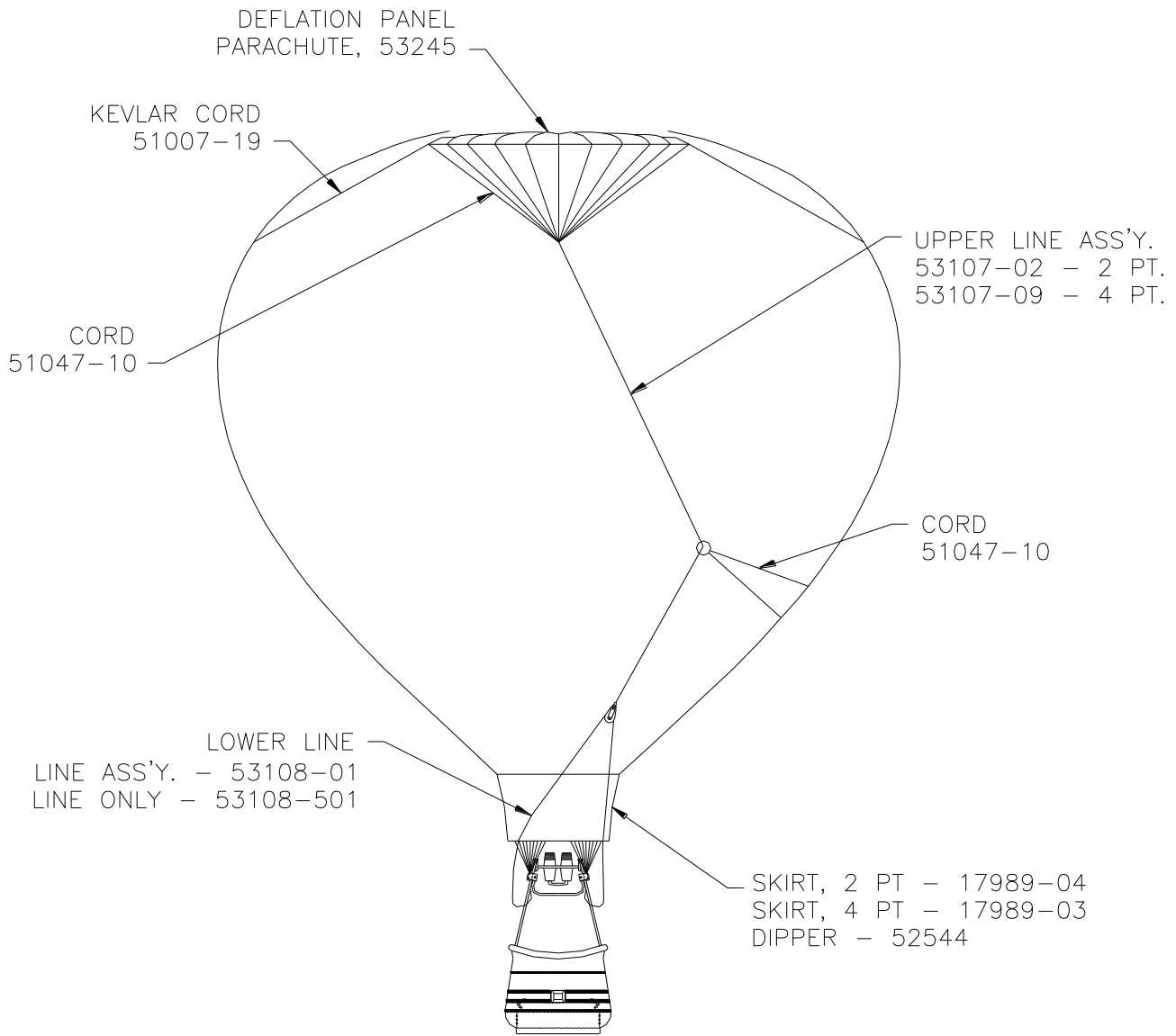
AEROCHUTE TOP S60S

Figure S60S-3



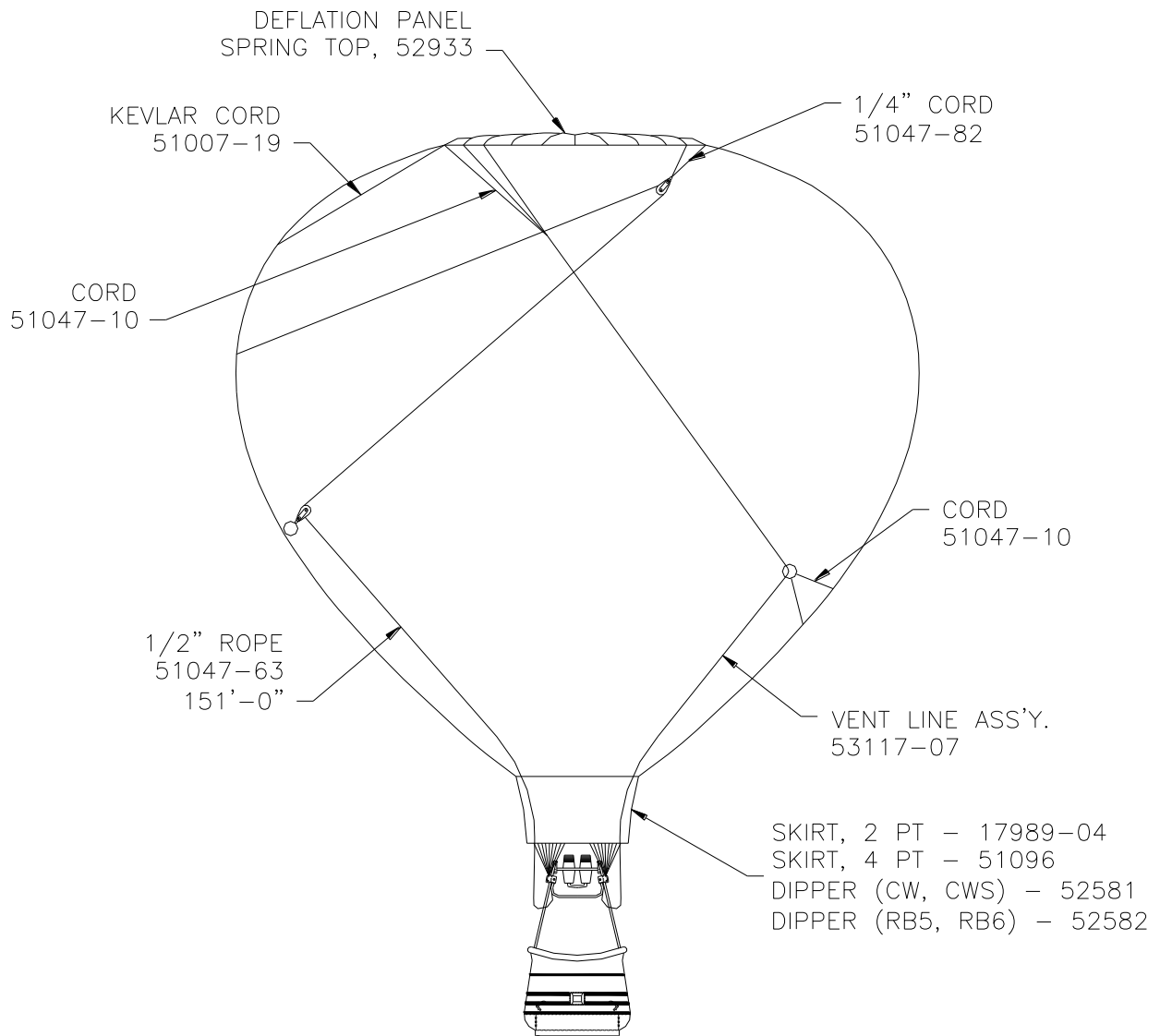
ROTATOR VENT
S60S

Figure S60S-4



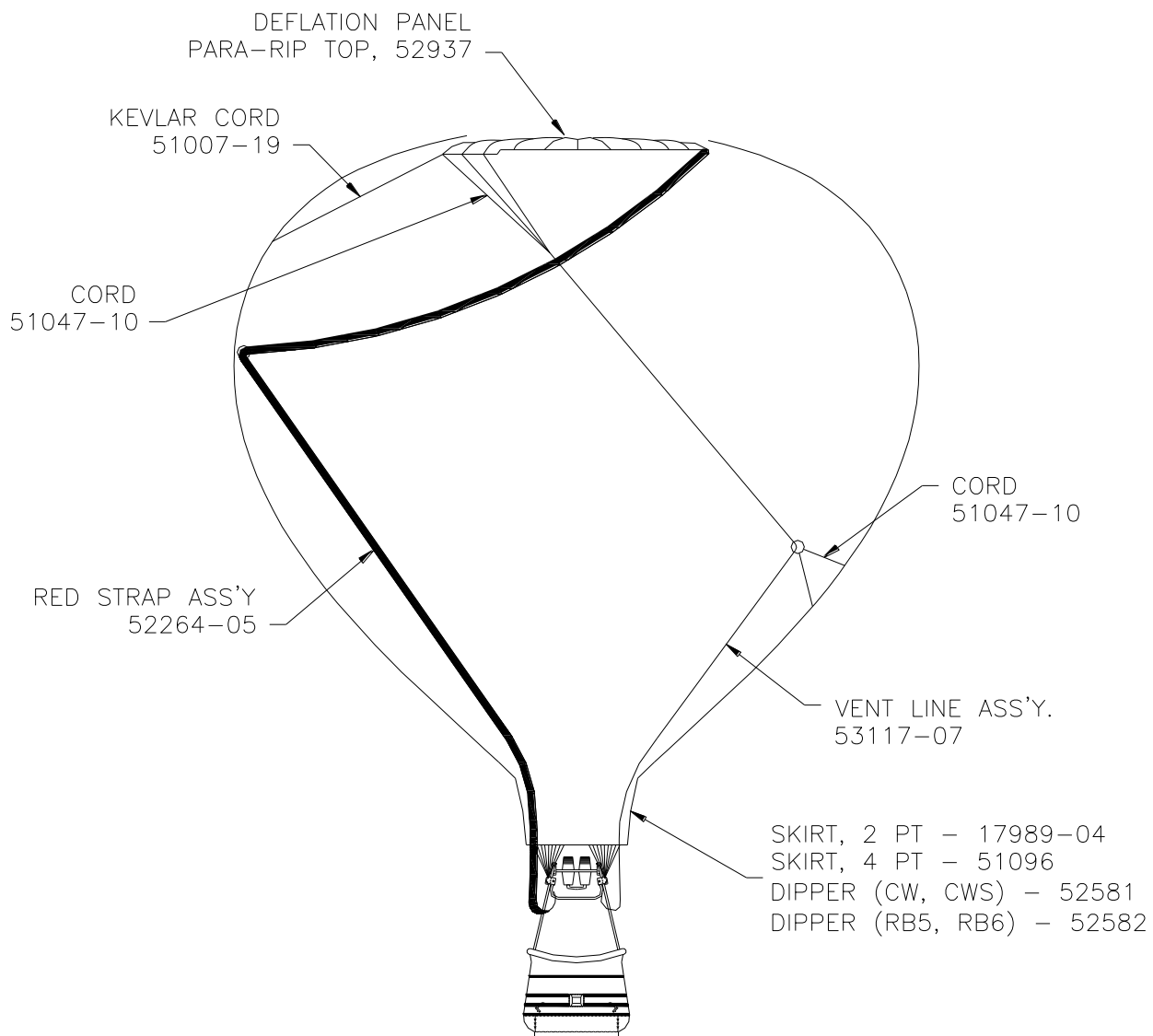
PARACHUTE TOP
S60H

Figure S60H-1



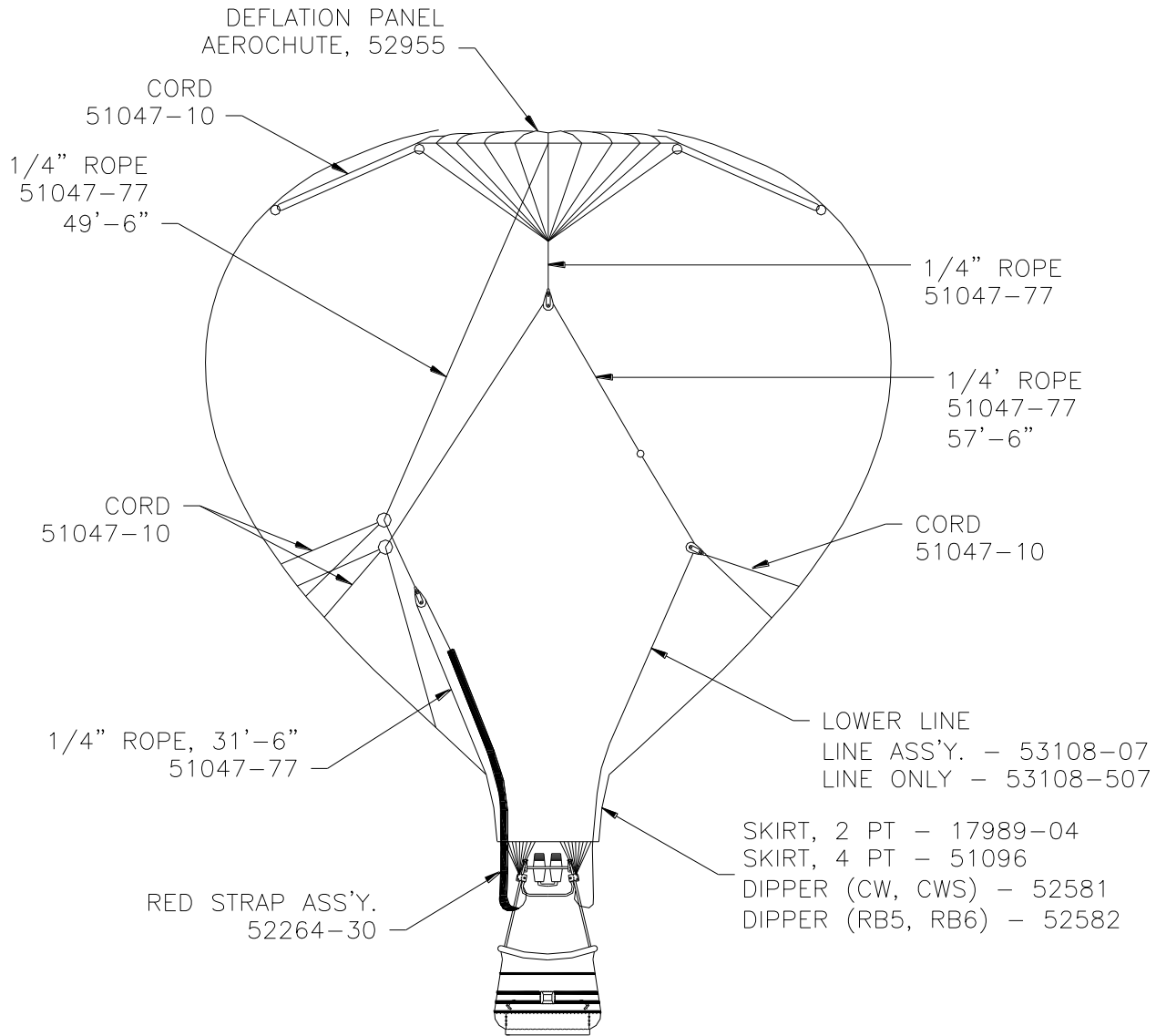
SPRING TOP
S66A

Figure S66A-1



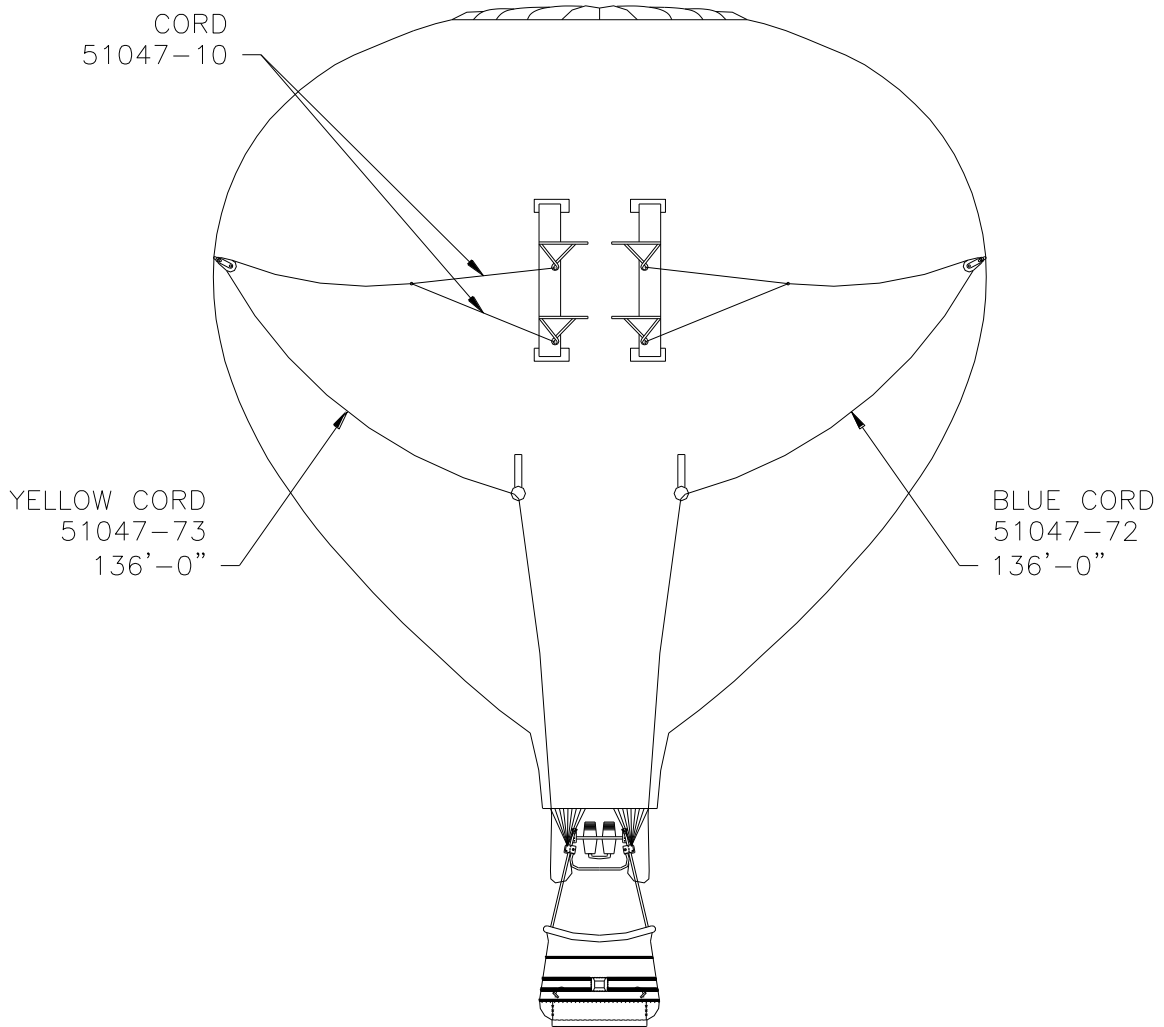
PARA-RIP TOP
S66A

Figure S66A-2



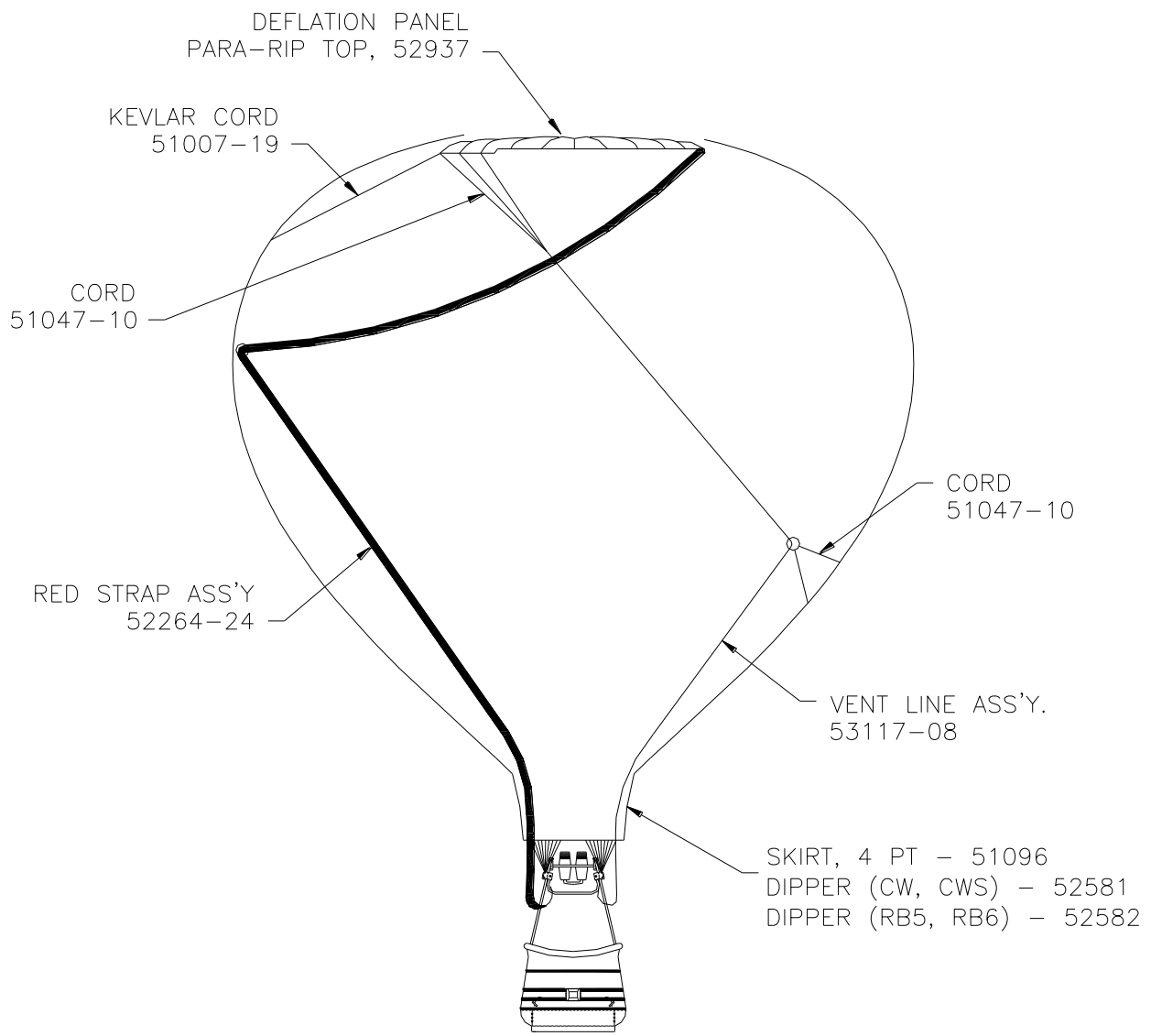
AEROCHUTE TOP S66A

Figure S66A-3



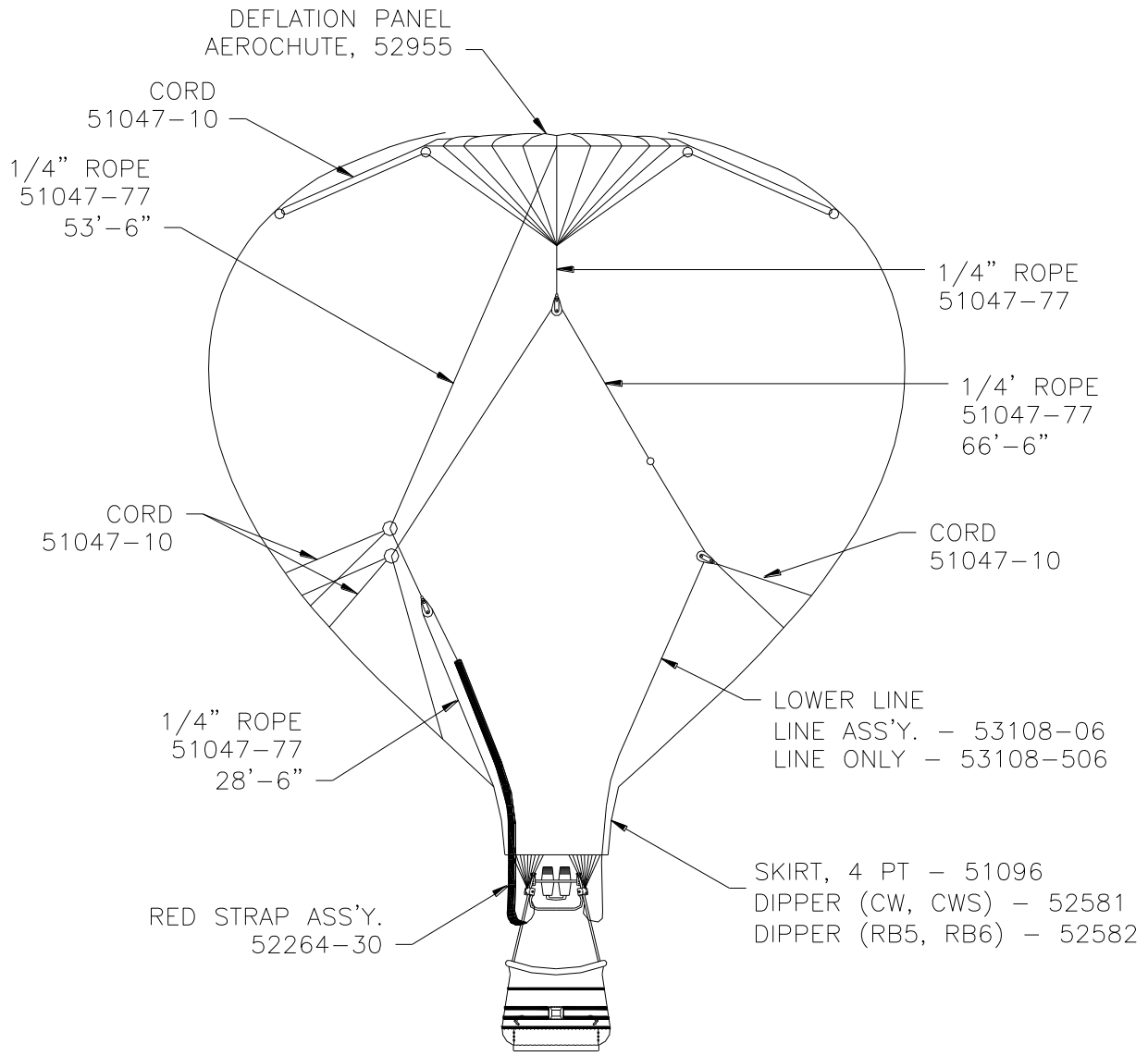
ROTATOR VENT
S66A

Figure S66A-4



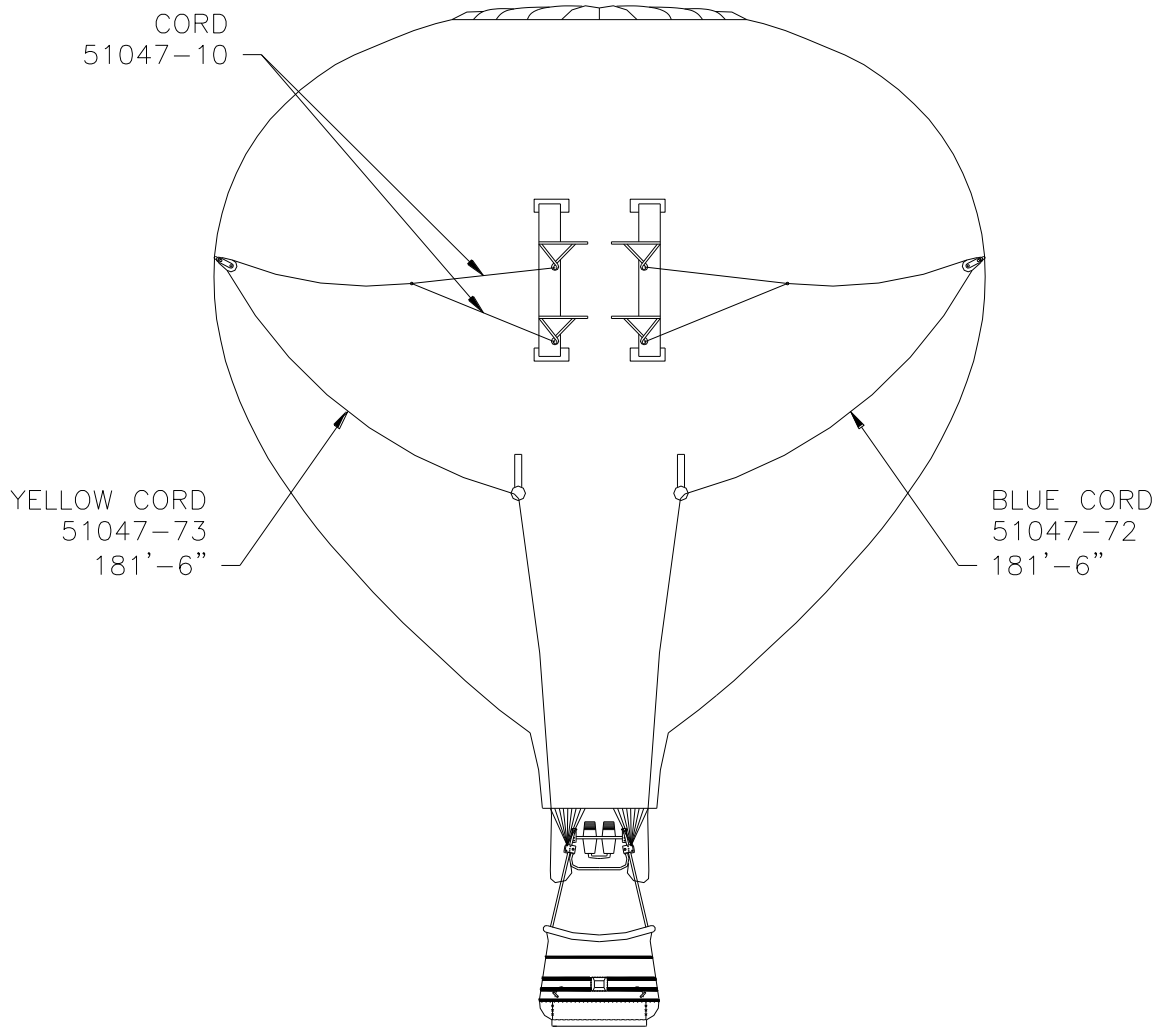
PARA-RIP TOP
S71A

Figure S71A-1



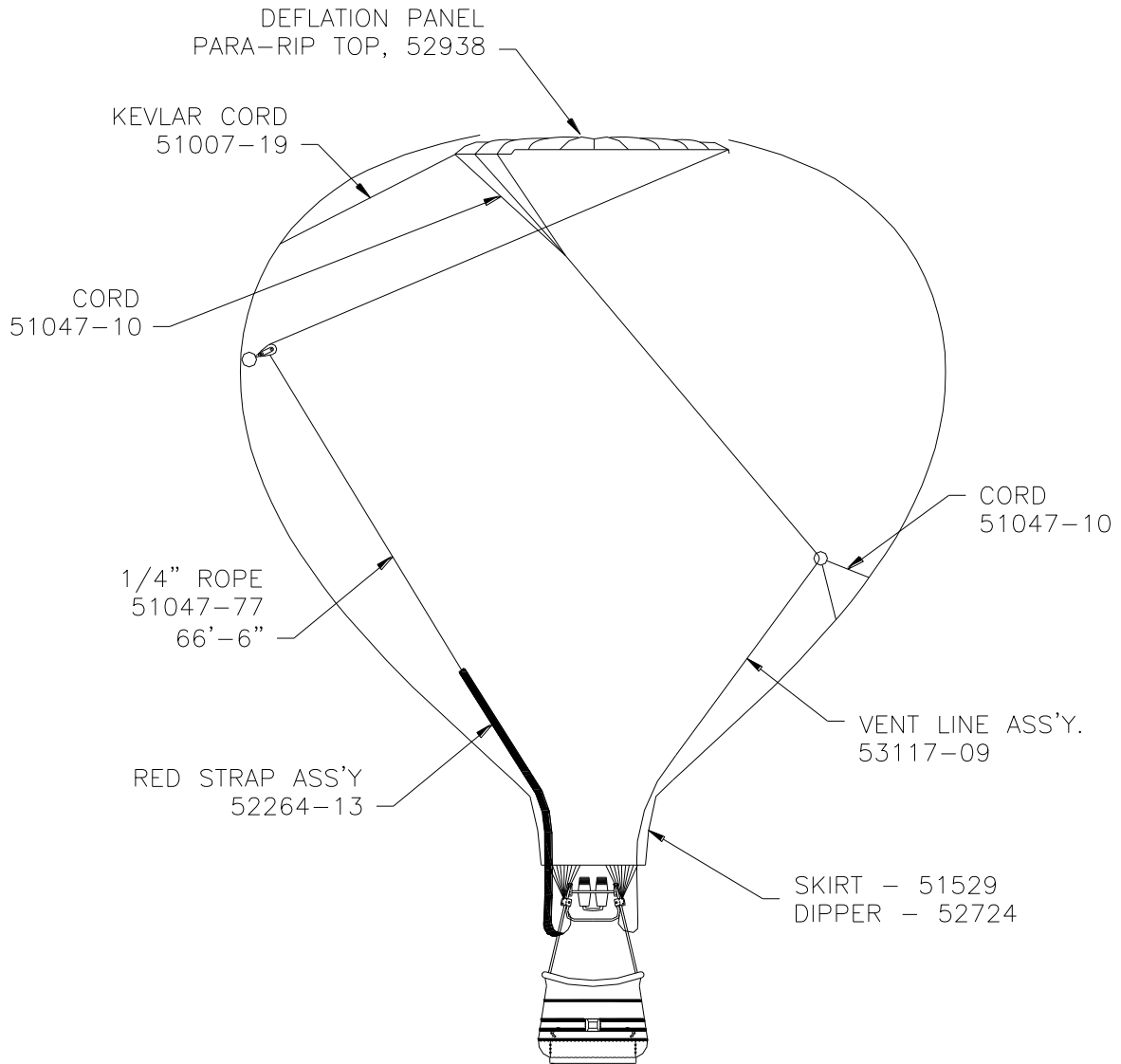
AEROCHUTE TOP S71A

Figure S71A-2



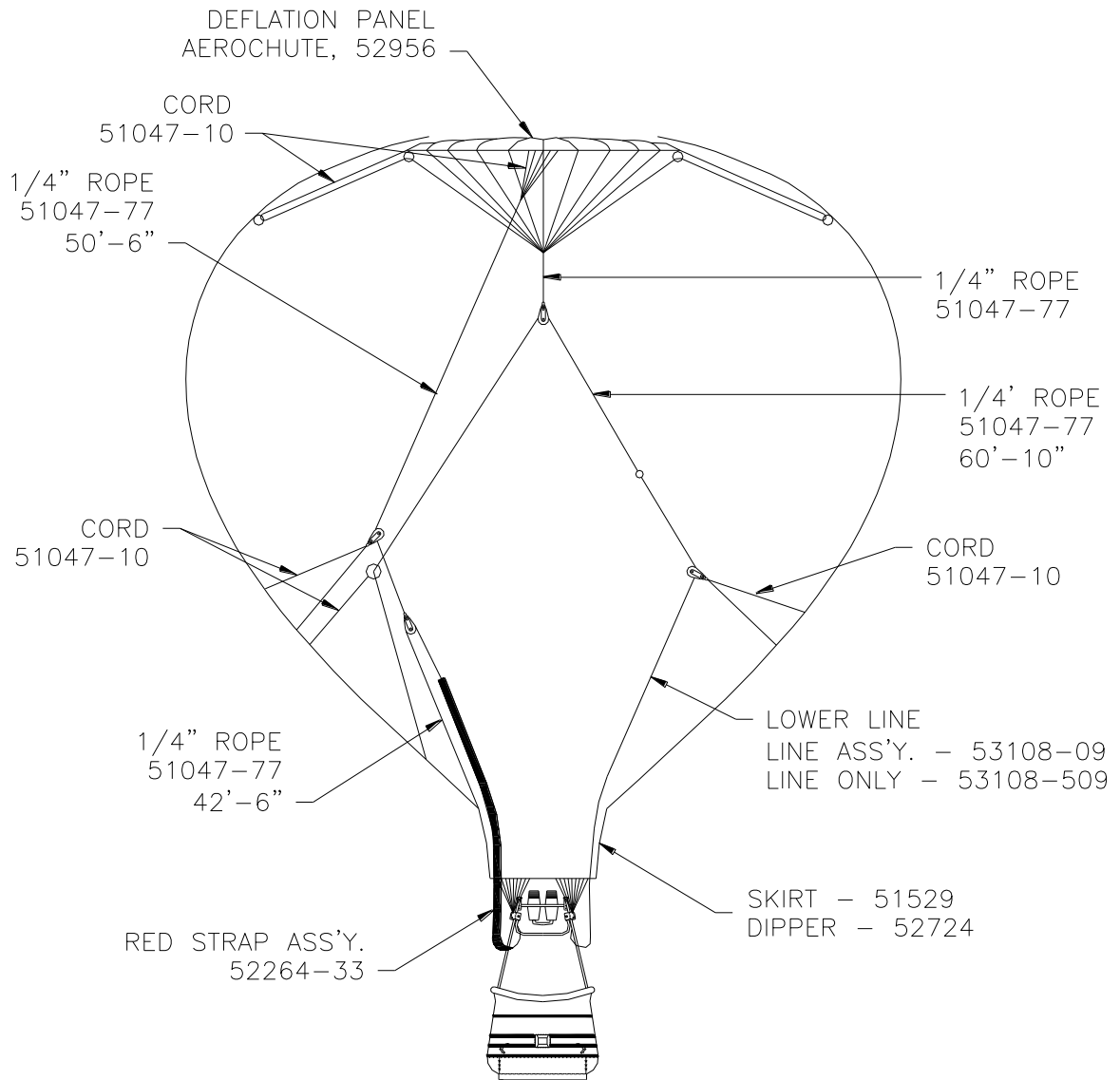
ROTATOR VENT S71A

Figure S71A-3



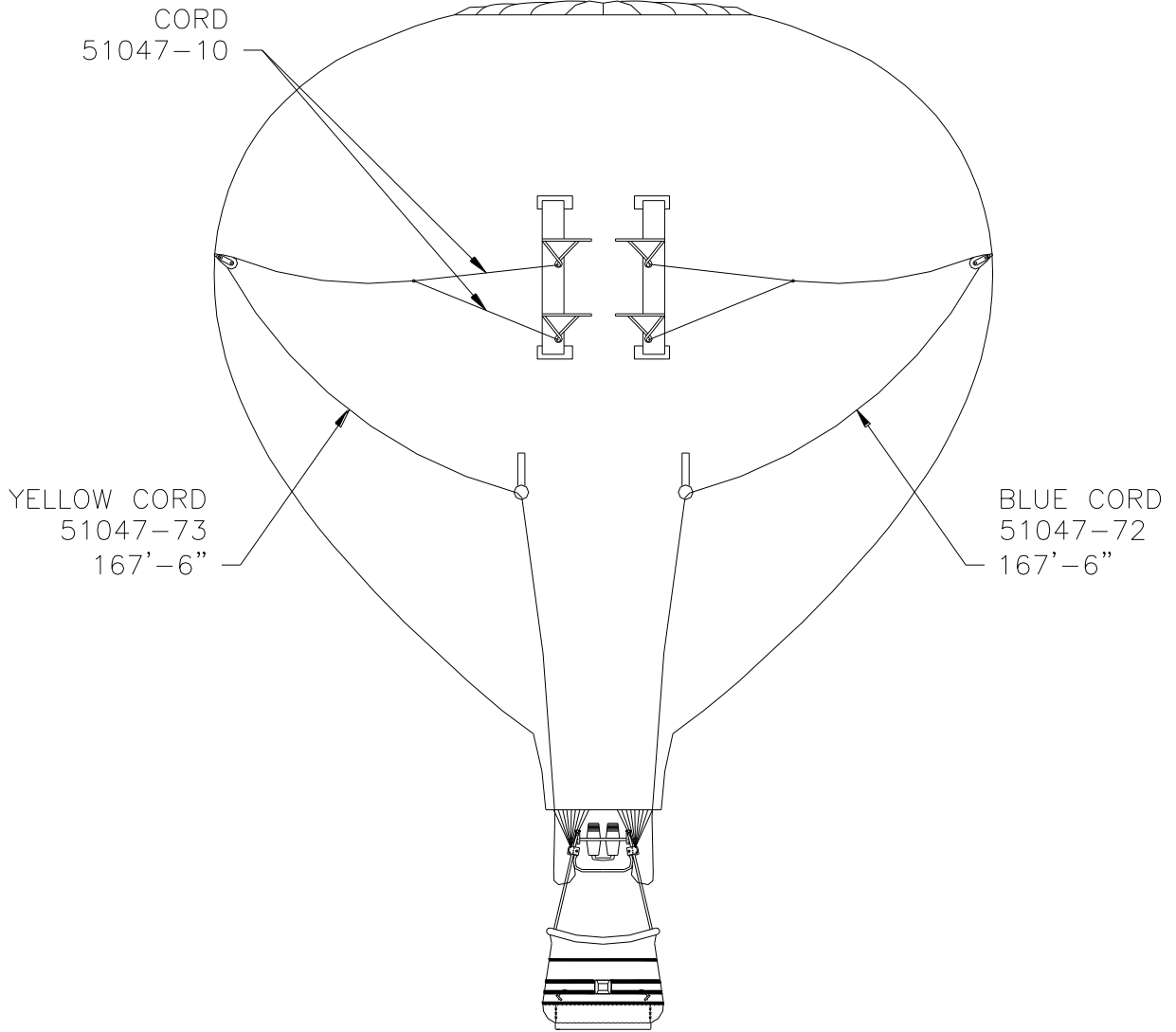
PARA-RIP TOP
S77A

Figure S77A-1



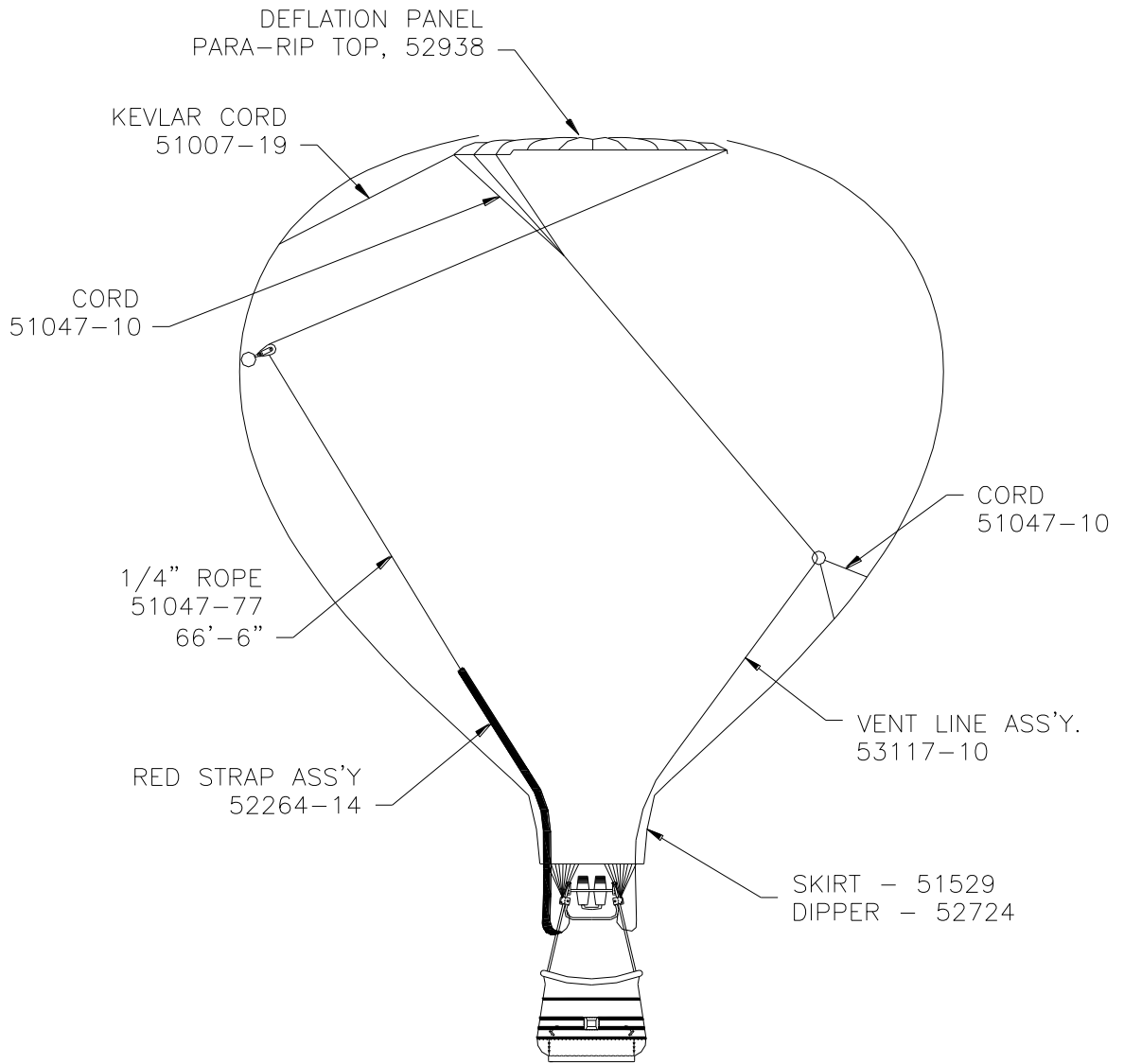
AEROCHUTE TOP S77A

Figure S77A-2



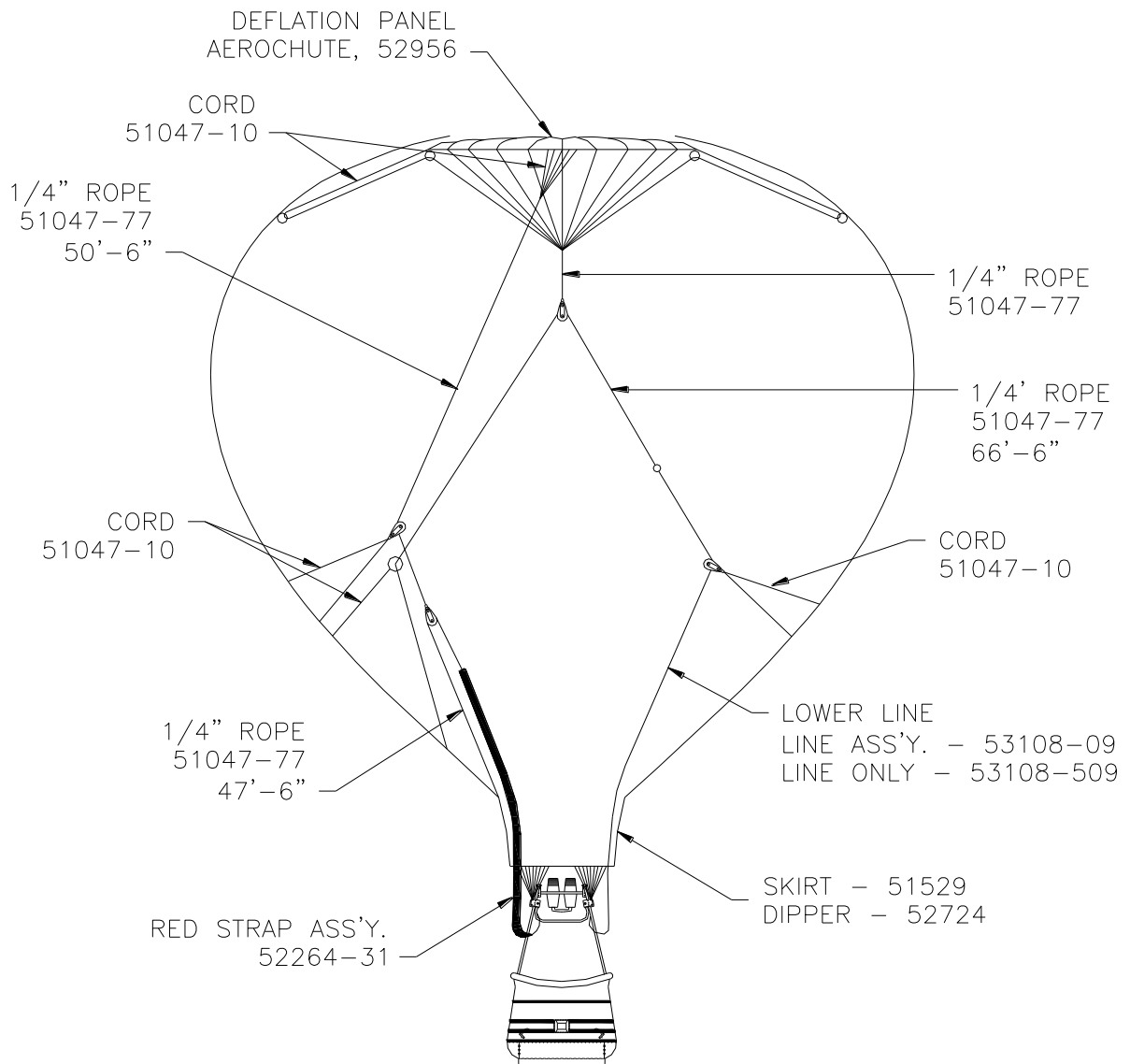
ROTATOR VENT
S77A

Figure S77A-3



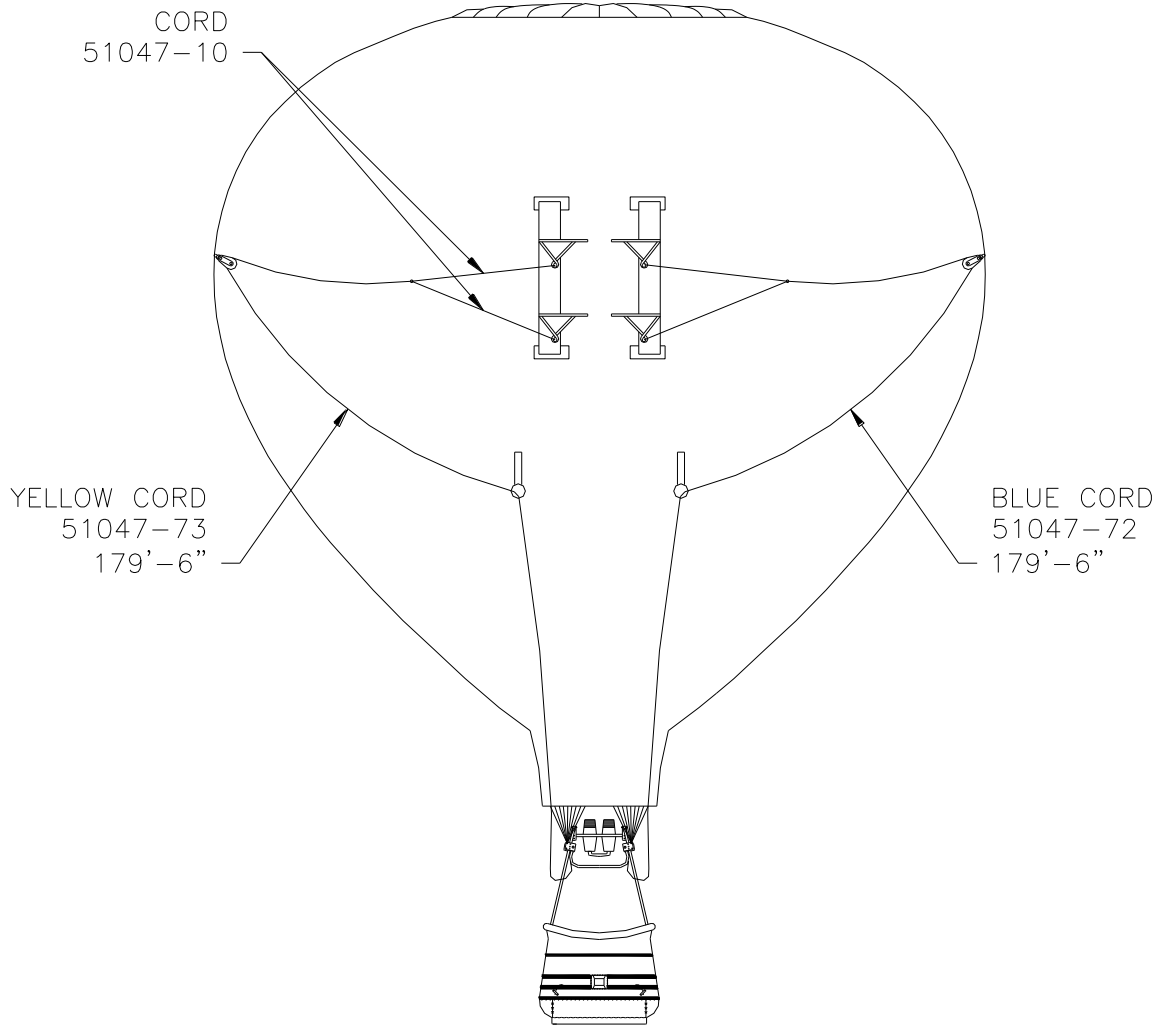
PARA-RIP TOP
S81A

Figure S81A-1



AEROCHUTE TOP S81A

Figure S81A-2



ROTATOR VENT
S81A

Figure S81A-3